

Digital Power Meter

GPM-8310 DA4 Installation

Installation MANUAL

GW INSTEK PART NO.:



ISO-9001 CERTIFIED MANUFACTURER

GW INSTEK

This manual contains proprietary information, which is protected by copyright. All rights are reserved. No part of this manual may be photocopied, reproduced or translated to another language without prior written consent of Good Will company.

The information in this manual was correct at the time of printing. However, Good Will continues to improve products and reserves the rights to change specification, equipment, and maintenance procedures at any time without notice.

Windows is a registered trademark of Microsoft Corporation in the United States and other countries.

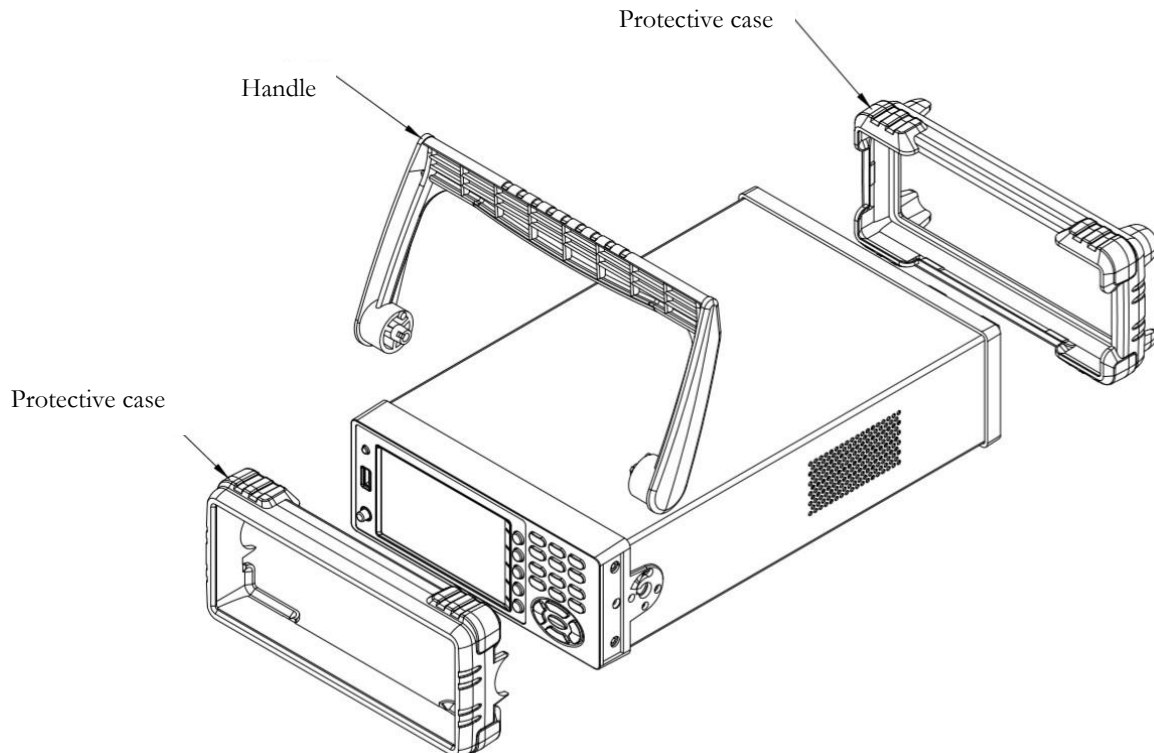
Good Will Instrument Co., Ltd.
No. 7-1, Jhongsing Rd., Tucheng Dist., New Taipei City 236, Taiwan.

DA4 INSTALLATION

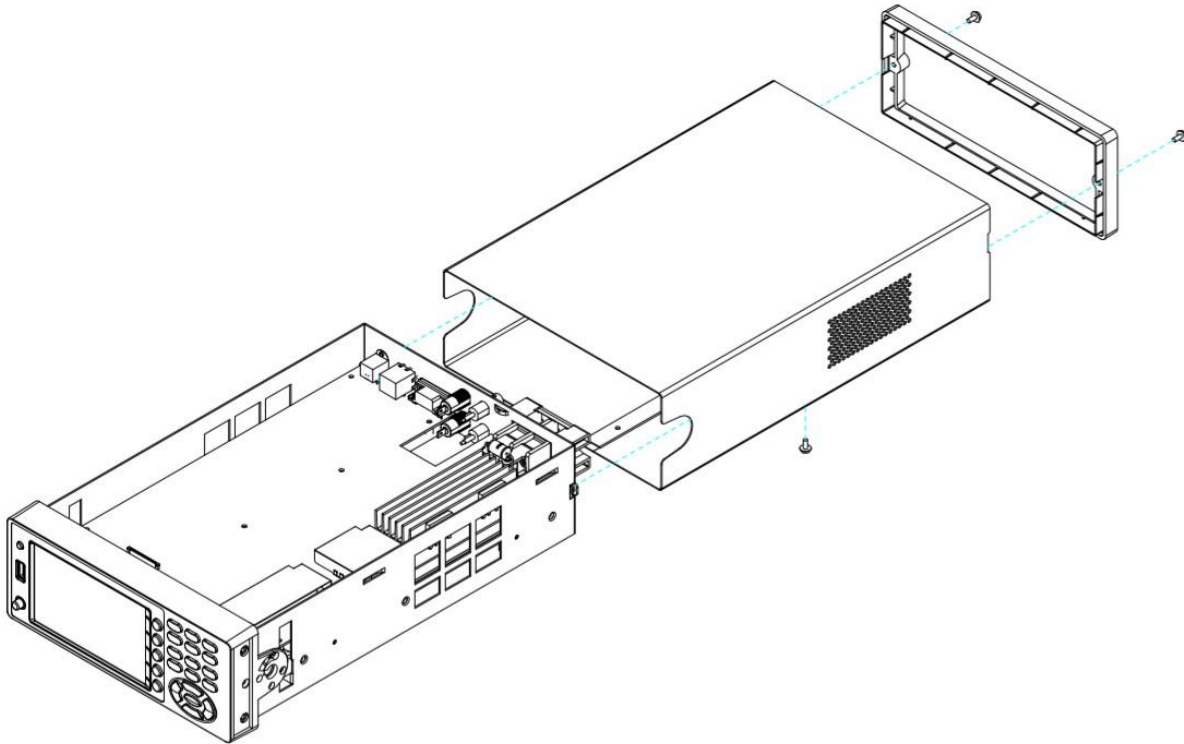
This chapter shows how to remove the major units, PCBs, panels, and outer casing, from the digital power meter and the modules. The procedures described in this chapter are intended for parts replacement and board adjustment. Use the corresponding parts list to order replacement parts.

Step 1

Flip the handle over the main unit and pull it outwards from both sides to remove it. Also, detach both front and rear protective cases away from the unit body with bare hands.



Step 2 Loosen the screws of the rear case by Phillips screwdriver followed by removing the rear case. Loosen the screw on the bottom of the chassis and further pull the chassis away from the unit body gently.

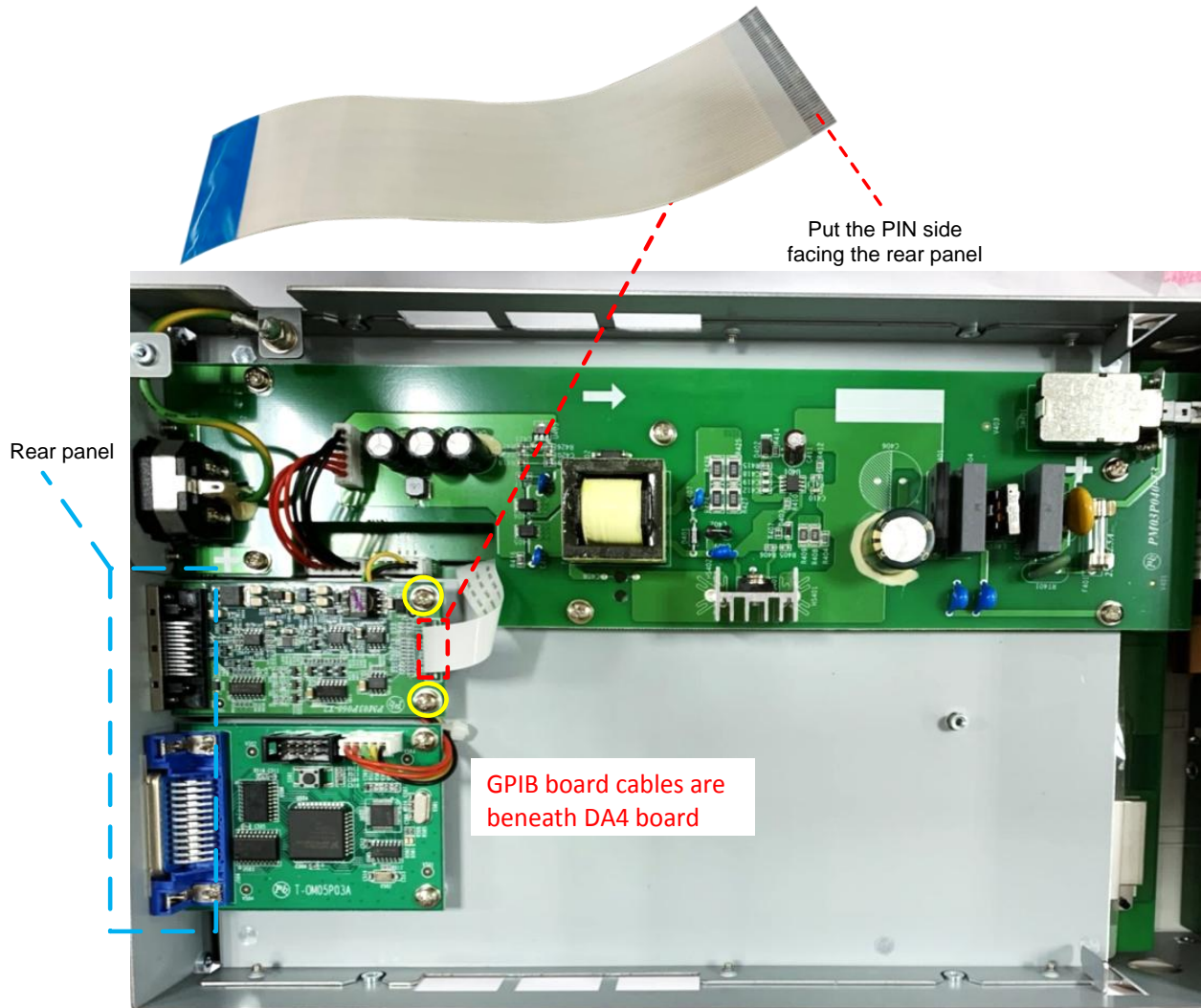


Step 3 Loosen the 2 screws indicated in the following figure by Phillips screwdriver and gently take the screws away from unit body.



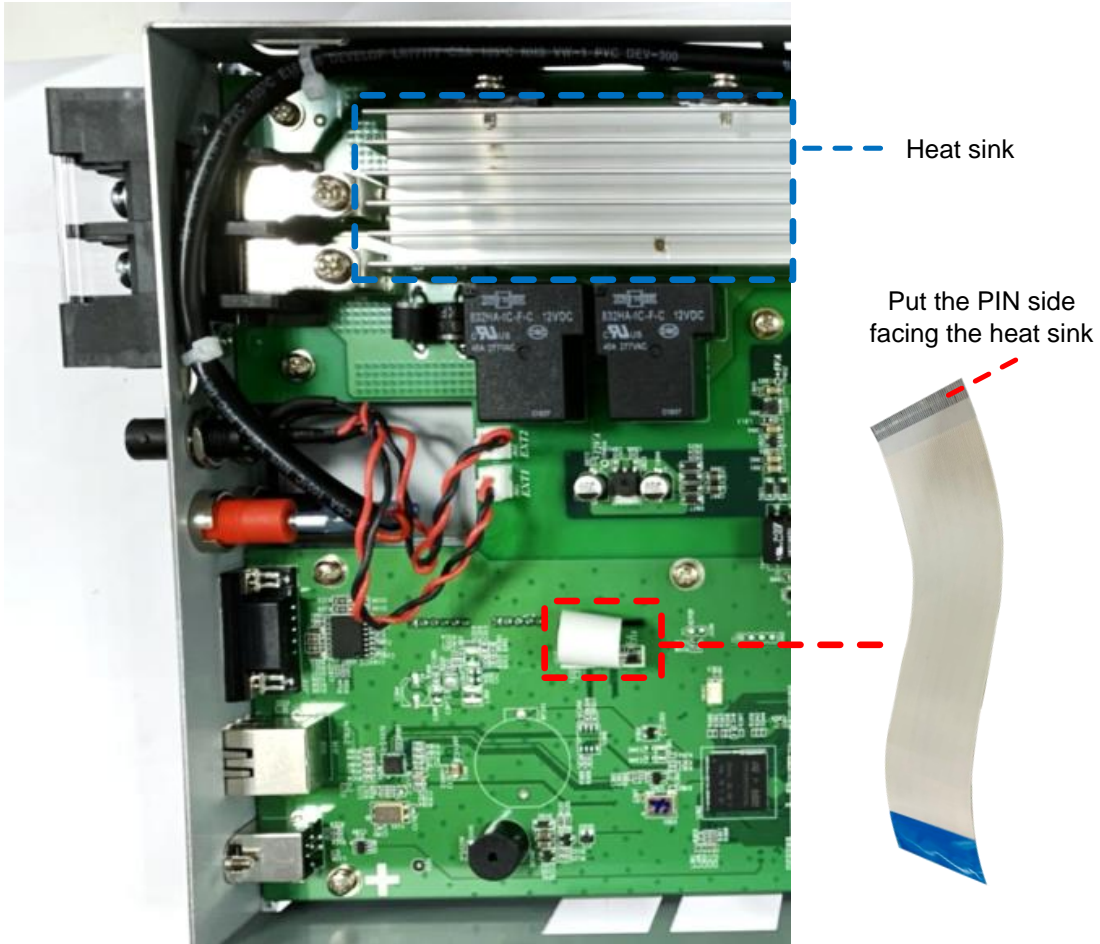
Step 4

Put the DA4 board into place aligned with inner side of rear panel followed by fastening the 2 screws indicated in yellow circles in figure below. Also, insert the flat cable, of which the PIN side faces the rear panel, into the DA4 board and slip it through the 01 board as shown in figure below. Note that the cables of adjacent GPIB board are supposed to be placed beneath DA4 board.



Step 5

After the flat cable is slipped through 01 board, flip over the body unit followed by inserting the flat cable, of which the PIN side faces the heat sink, into the socket on board firmly.



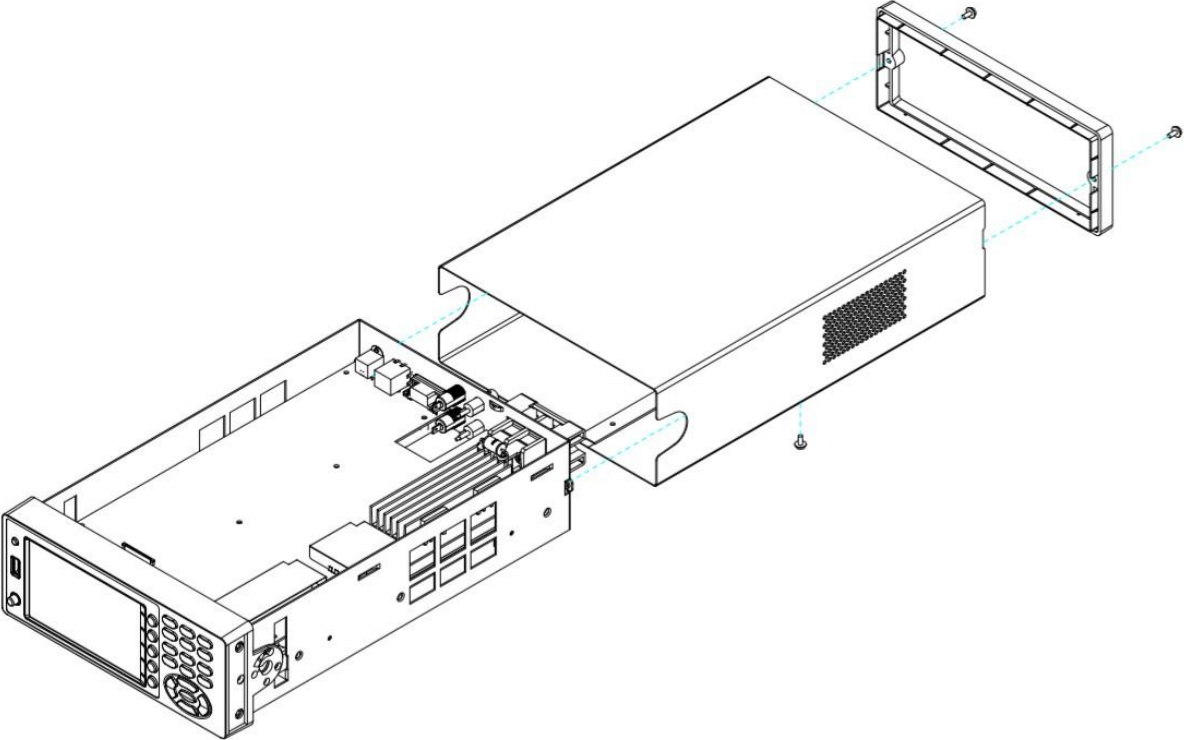
Step 6

Fasten the 2 screws with the DA4 connector by Phillips screwdriver and apply some thread-locking fluid onto the internal side of the 2 screws.



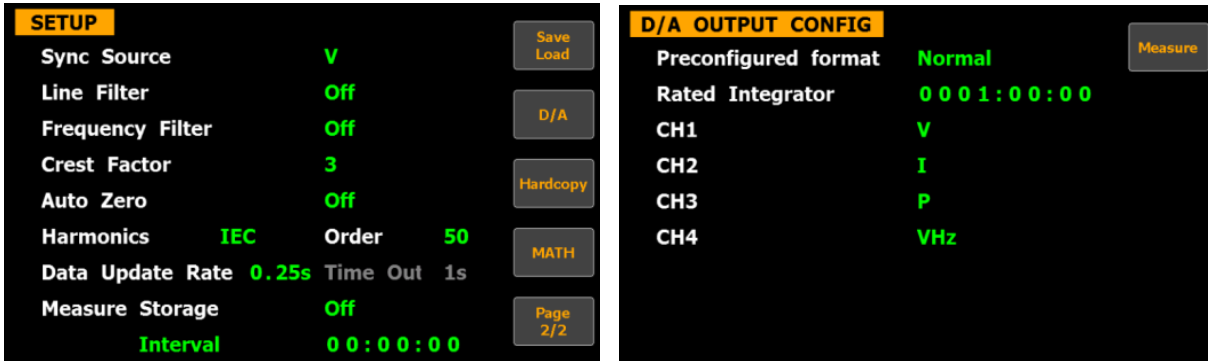
Step 7

Restore the chassis back to the unit body followed by fastening the screw onto the bottom side. Also, restore the rear case back to the unit body with fastening the 2 screws firmly.



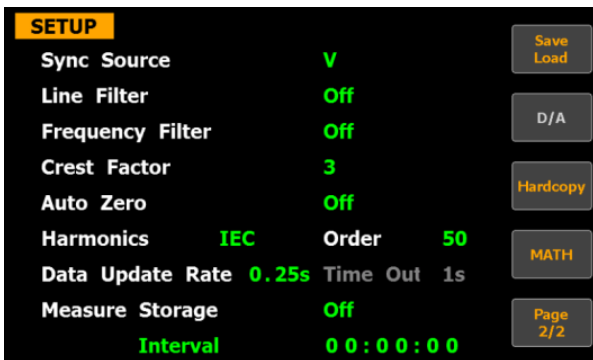
Step 8 Power on the unit and enter SETUP page followed by clicking Page1/2. When the D/A OUTPUT CONFIG page is shown as figure below, the DA4 connector is installed successfully.

Success



Step 8 If it shows the screen as the figure below, the DA4 connector is not installed properly. Please redo from the step 3 through step 4 and check it again.

Fail



Step 9

Restore both front and rear protective cases back followed by restoring the handle back to the unit body as well.

