

Rack Adapter Panel

GRA-413 and GRA-414



Assembly Manual

GW INSTEK PART NO. 82RA-41400MA1

This assembly manual contains proprietary information, which is protected by copyrights. All rights are reserved. No part of this manual may be photocopied, reproduced or translated to another language without prior written consent of Good Will company.

The information in this manual was correct at the time of printing. However, Good Will continues to improve products and reserves the rights to change specification, equipment, and maintenance procedures at any time without notice.

Good Will Instrument Co., Ltd.
No. 7-1, Jhongsing Rd., Tucheng Dist., New Taipei City 236, Taiwan.



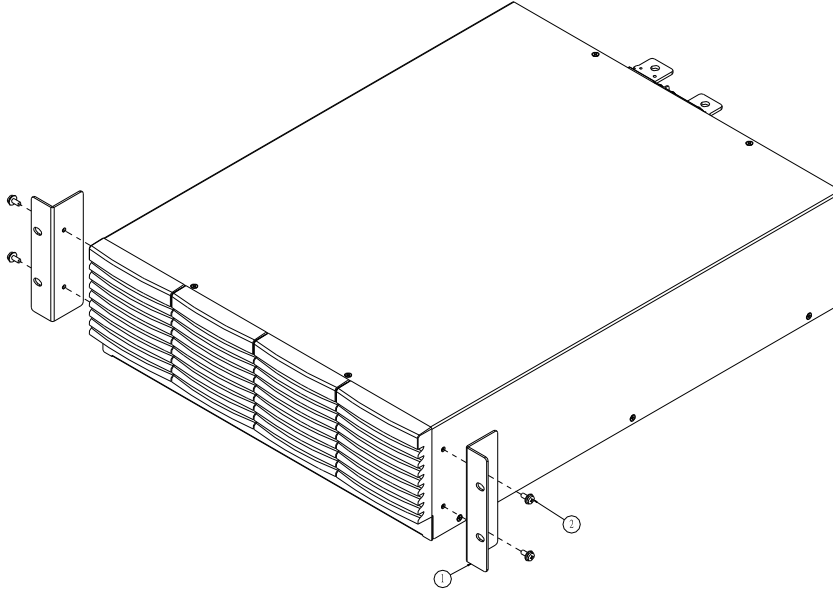
ISO-9001 CERTIFIED MANUFACTURER

GW INSTEK

A. GRA-413 Part Details and Assembly:

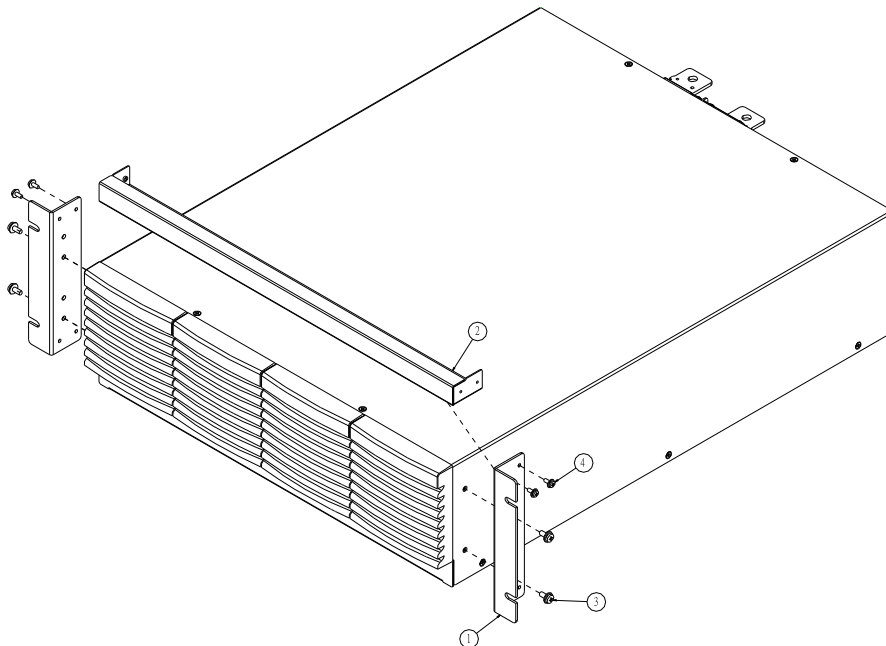
1. EIA Part Details:

| ITEM | Part NO. | Description | QTY |
|------|---------------|----------------|-----|
| 1 | 62RA-413HP101 | EIA BRACKET 3U | 2 |
| 2 | 594B-W3008NS1 | M4*8 | 4 |



2. JIS Part Details:

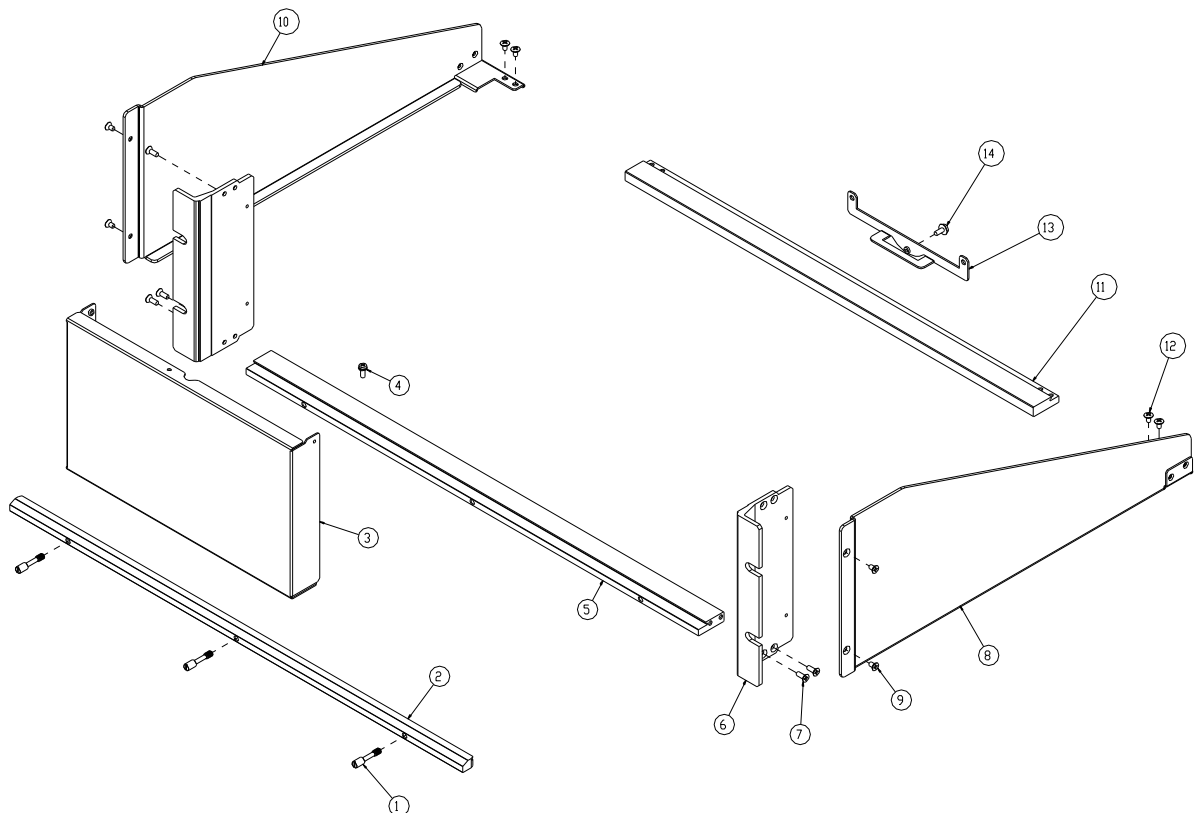
| ITEM | Part NO. | Description | QTY |
|------|---------------|----------------|-----|
| 1 | 62RA-413HP201 | JIS BRACKET 3U | 2 |
| 2 | 62RA-413HP301 | JIS RACK HP | 1 |
| 3 | 594B-W008NS1 | M3*8 | 4 |
| 4 | 594B-W3008NS1 | M4*8 | 4 |



B. GRA-414 Part Details and Assembly:

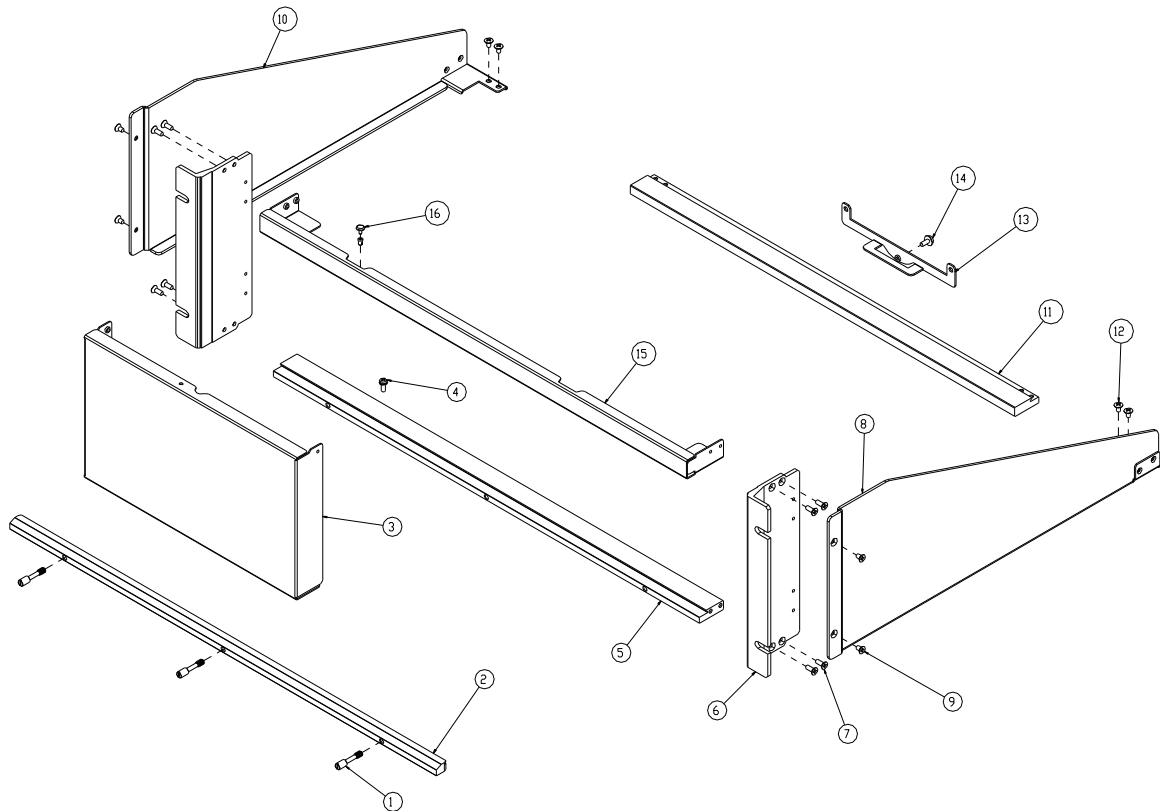
1. EIA Part Details:

| ITEM | Part NO. | Description | QTY |
|------|---------------|----------------|-----|
| 1 | 59CA-04017NS1 | Rack Screw | 3 |
| 2 | 62RA-410HP201 | Front Bracket | 1 |
| 3 | 62RA-414HP201 | BLANK PANEL | 1 |
| 4 | 592B-W3008NS1 | PMS-W-3*8 | 1 |
| 5 | 62RA-410HP101 | Middle Bracket | 1 |
| 6 | 62RA-410HPAA1 | EIA BRACKET 3U | 2 |
| 7 | 593B-03008NS1 | FMS-3*8 | 5 |
| 8 | 62RA-414RC101 | Right Bracket | 1 |
| 9 | 593B-03005NS1 | FMS-3*5 | 4 |
| 10 | 62RA-414LC101 | Left Bracket | 1 |
| 11 | 62RA-414HP401 | Rear Bracket | 1 |
| 12 | 599B-03006NS1 | IMS 3*6 | 4 |
| 13 | 62RA-414HP101 | Rack HP | 2 |
| 14 | 594B-W3008NS1 | BMS-W-3*8 | 2 |



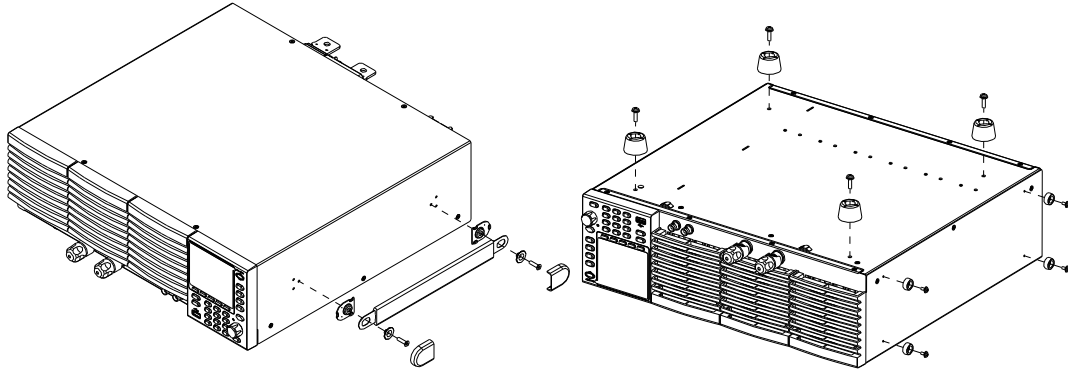
2. JIS Part Details:

| ITEM | Part NO. | Description | QTY |
|------|---------------|----------------|-----|
| 1 | 59CA-04017NS1 | Rack Screw | 3 |
| 2 | 62RA-410HP201 | Front Bracket | 1 |
| 3 | 62RA-414HP201 | BLANK PANEL | 1 |
| 4 | 592B-W3008NS1 | PMS-W-3*8 | 1 |
| 5 | 62RA-410HP101 | Middle Bracket | 1 |
| 6 | 62RA-410HPBA1 | JIS BRACKET 3U | 2 |
| 7 | 593B-03008NS1 | FMS-3*8 | 8 |
| 8 | 62RA-414RC101 | Right Bracket | 1 |
| 9 | 593B-03005NS1 | FMS-3*5 | 4 |
| 10 | 62RA-414LC101 | Left Bracket | 1 |
| 11 | 62RA-414HP401 | Rear Bracket | 1 |
| 12 | 599B-03006NS1 | IMS 3*6 | 4 |
| 13 | 62RA-414HP101 | Rack HP | 2 |
| 14 | 594B-W3008NS1 | BMS-W-3*8 | 2 |
| 15 | 62RA-414HP301 | Top Bracket | 1 |
| 16 | 5320-00403001 | SR-3S | 1 |

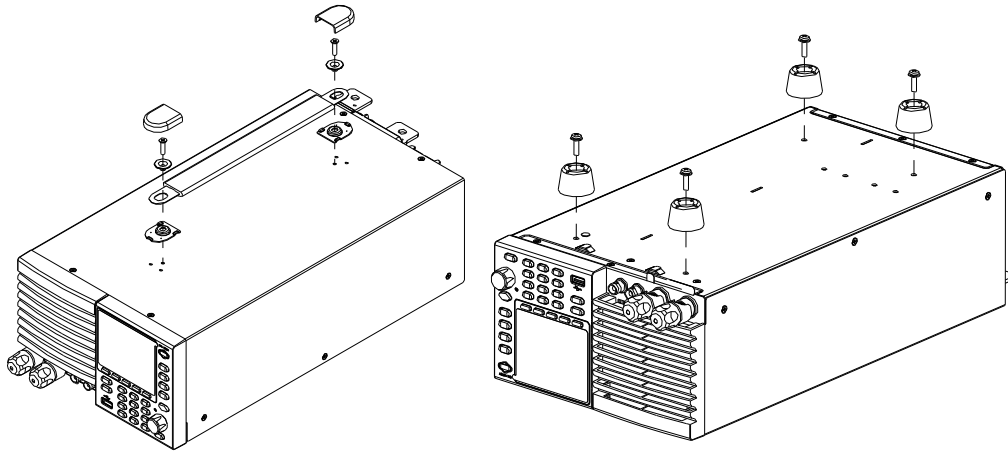


C. Removing the handle and Feet from the Instrument:

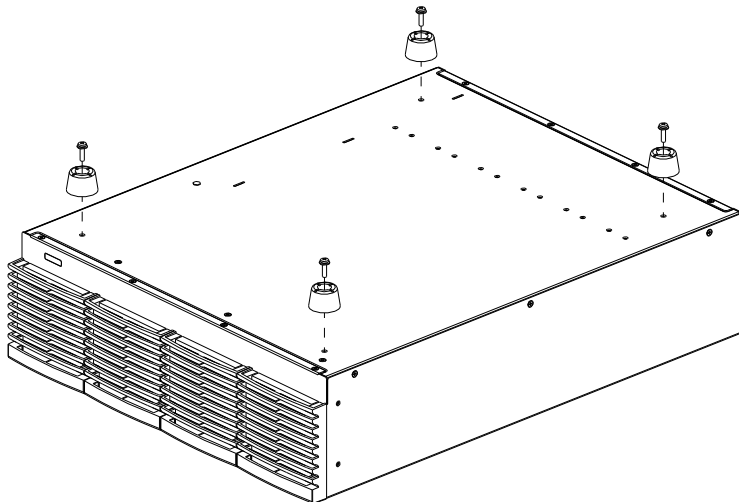
1. PEL3111. Removing the handle and feet.



2. PEL3041 and PEL3021. Removing the handle and feet.

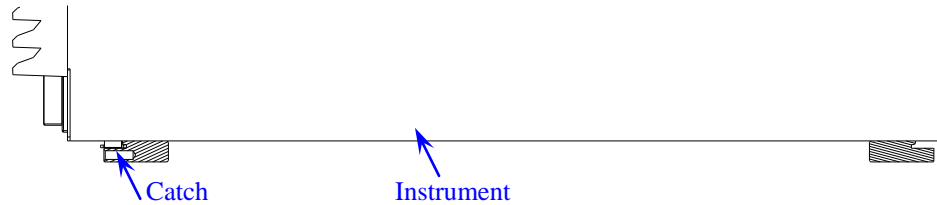


3. PEL3211. Removing the feet.

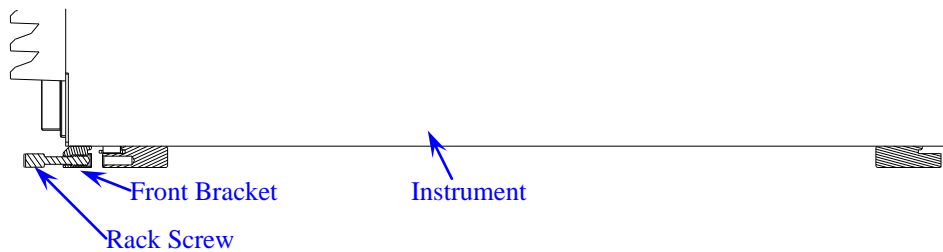


D. Assembling the Rack to the Instrument:

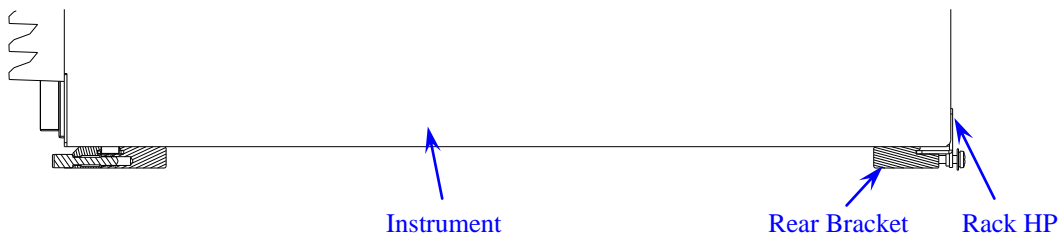
1. The instrument should be installed horizontally onto the rack. Make sure the middle bracket lines up with the catch on the underside of the instrument.



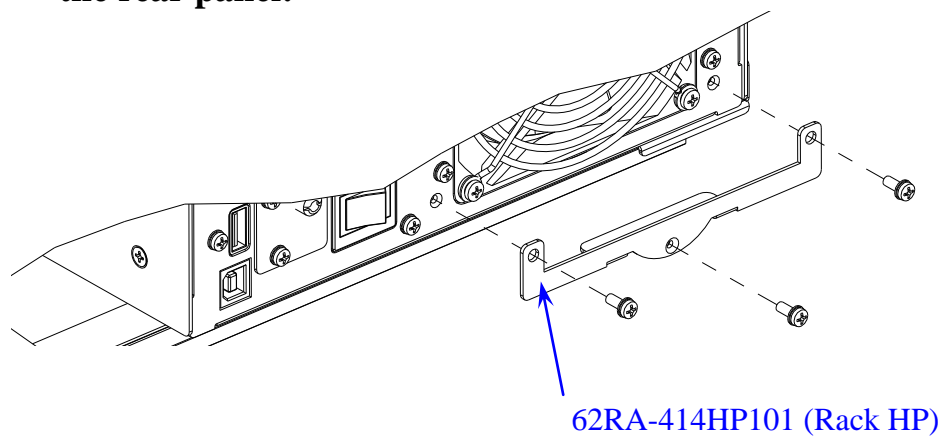
2. Attach the front bracket to the middle bracket with the rack screws.



3. Attach the rack holding plate (RACK HP) to the groove in the rear bracket and to the instrument.

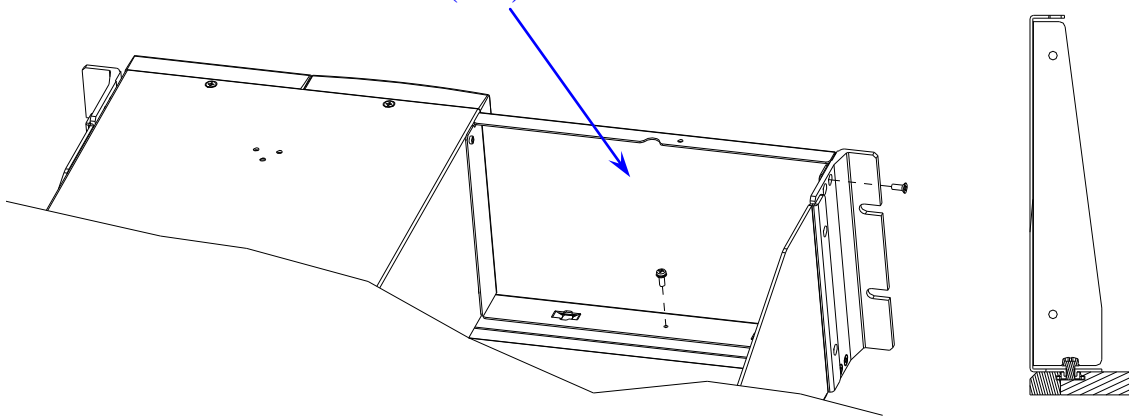


E. Schematic diagram for the assembly of the rack holding plates to the rear panel:

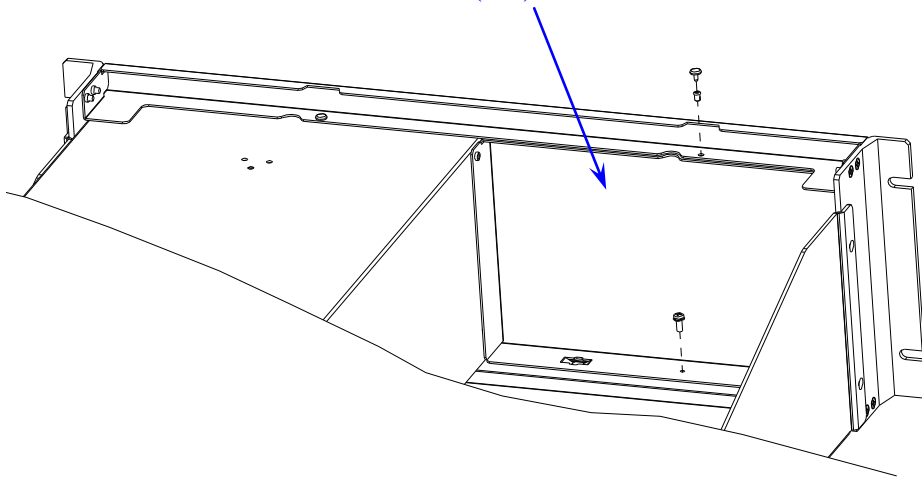


F. Blank Panel Installation Diagram:

BLANK PANEL (EIA)

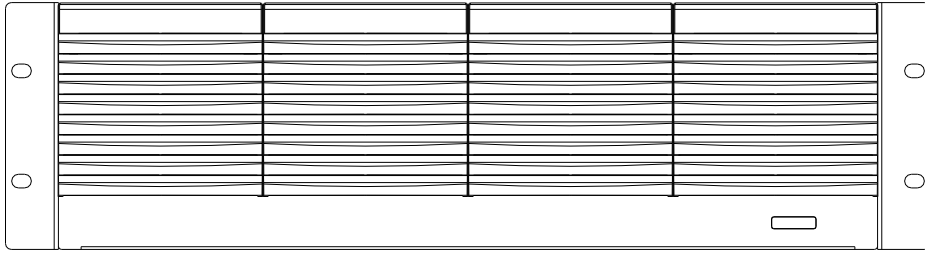


BLANK PANEL (JIS)

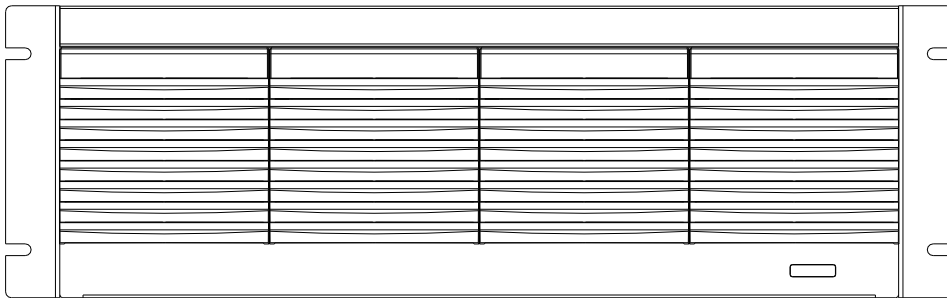


G. GRA-413 and GRA-414 Front View

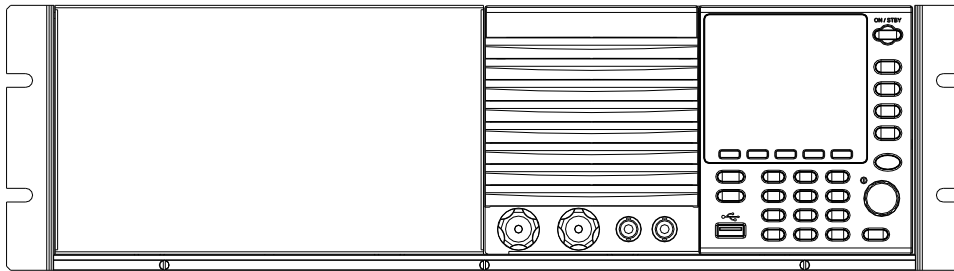
GRA-413-E (PEL3211)



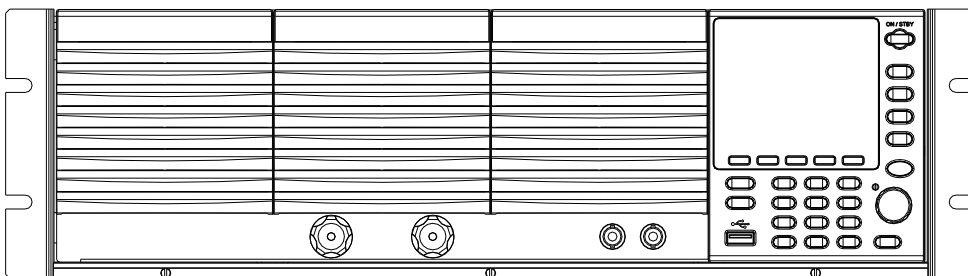
GRA-413-J (PEL3211)



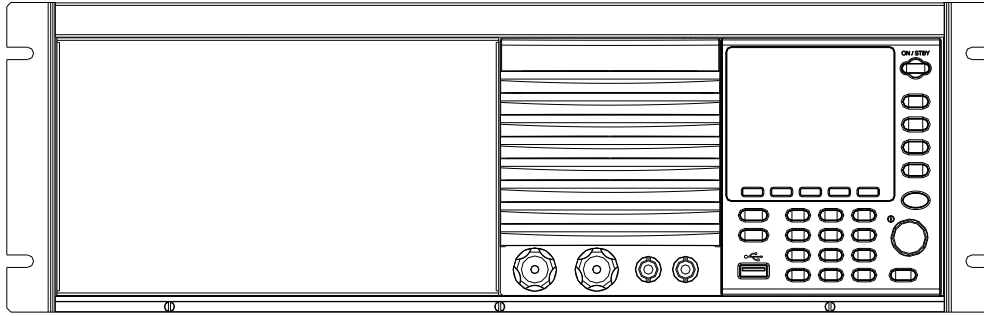
GRA-414-E (PEL3021, PEL3041), Half Rack



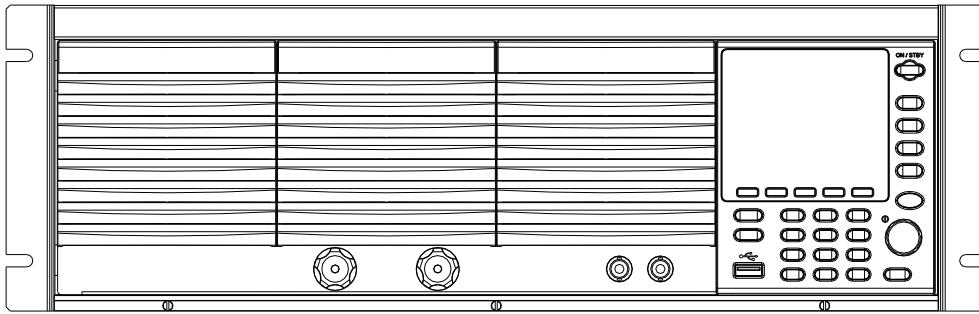
GRA-414-E (PEL3111), Full Rack



GRA-414-J (PEL3021, PEL3041), Half Rack

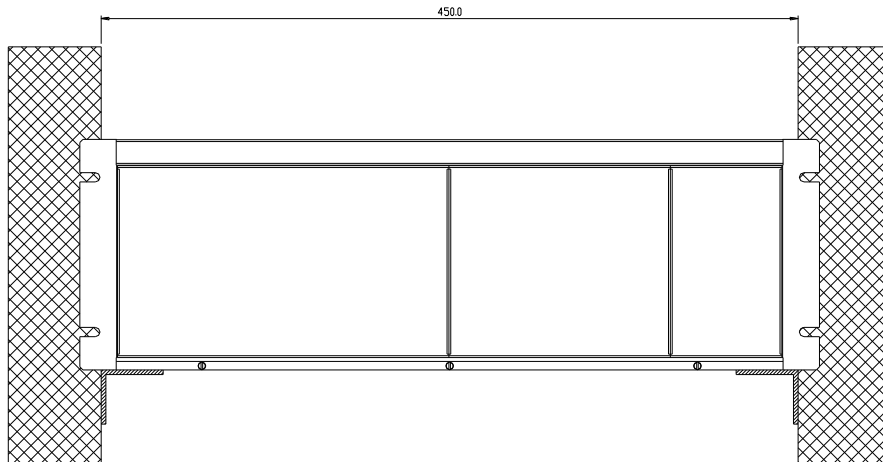


GRA-414-J (PEL3111), Full Rack

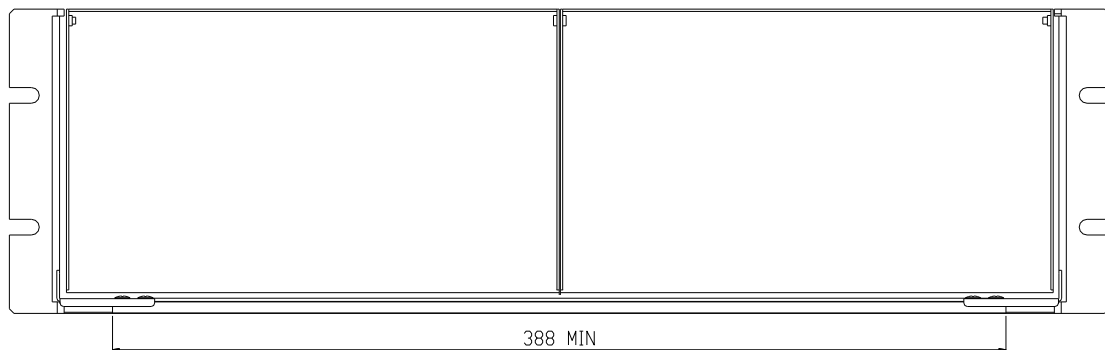


H. Note:

1. Load weight for GRA-414: Max=20kg.
2. Load weight for GRA-413 not specified.
3. Rack cabinet installation diagram:



4. Precautions for cabinets with L-bracket supports:



For rack cabinets that use L-brackets, please be aware of the size limitations, as shown above.