

Rack Adapter Panel

GRA-413 and GRA-414

GW INSTEK

Assembly Manual

GW INSTEK PART NO. 82RA-41400M01

This assembly manual contains proprietary information, which is protected by copyrights. All rights are reserved. No part of this manual may be photocopied, reproduced or translated to another language without prior written consent of Good Will company.

The information in this manual was correct at the time of printing. However, Good Will continues to improve products and reserves the rights to change specification, equipment, and maintenance procedures at any time without notice.

Good Will Instrument Co., Ltd.
No. 7-1, Jhongsing Rd., Tucheng Dist., New Taipei City 236, Taiwan.



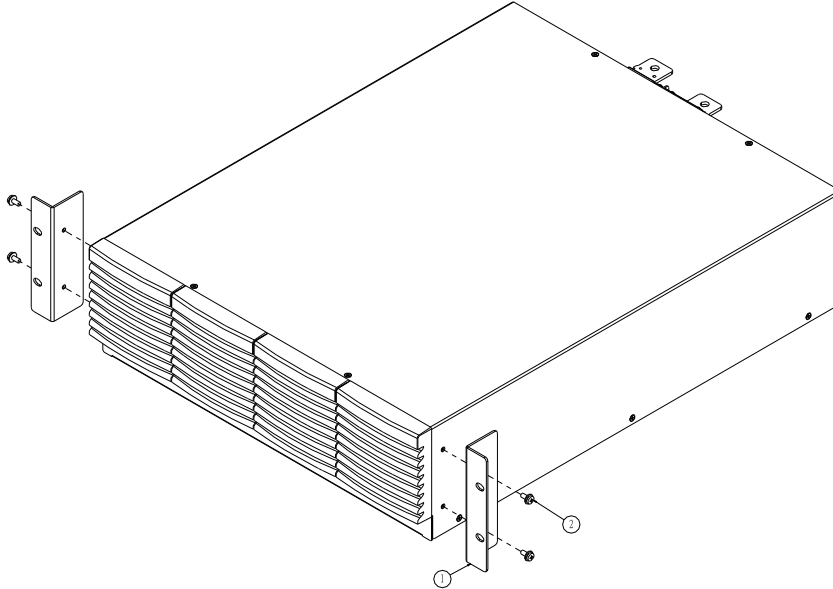
ISO-9001 CERTIFIED MANUFACTURER

GW INSTEK

A. GRA-413 Part Details and Assembly:

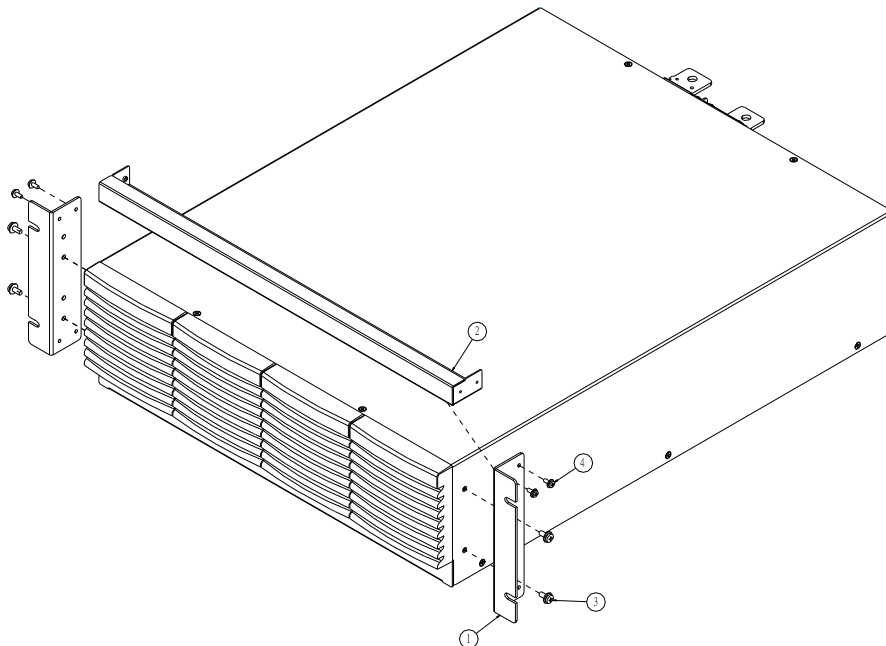
1. EIA Part Details:

ITEM	Part NO.	Description	QTY
1	62RA-413HP101	EIA BRACKET 3U	2
2	594B-W3008NS1	M4*8	4



2. JIS Part Details:

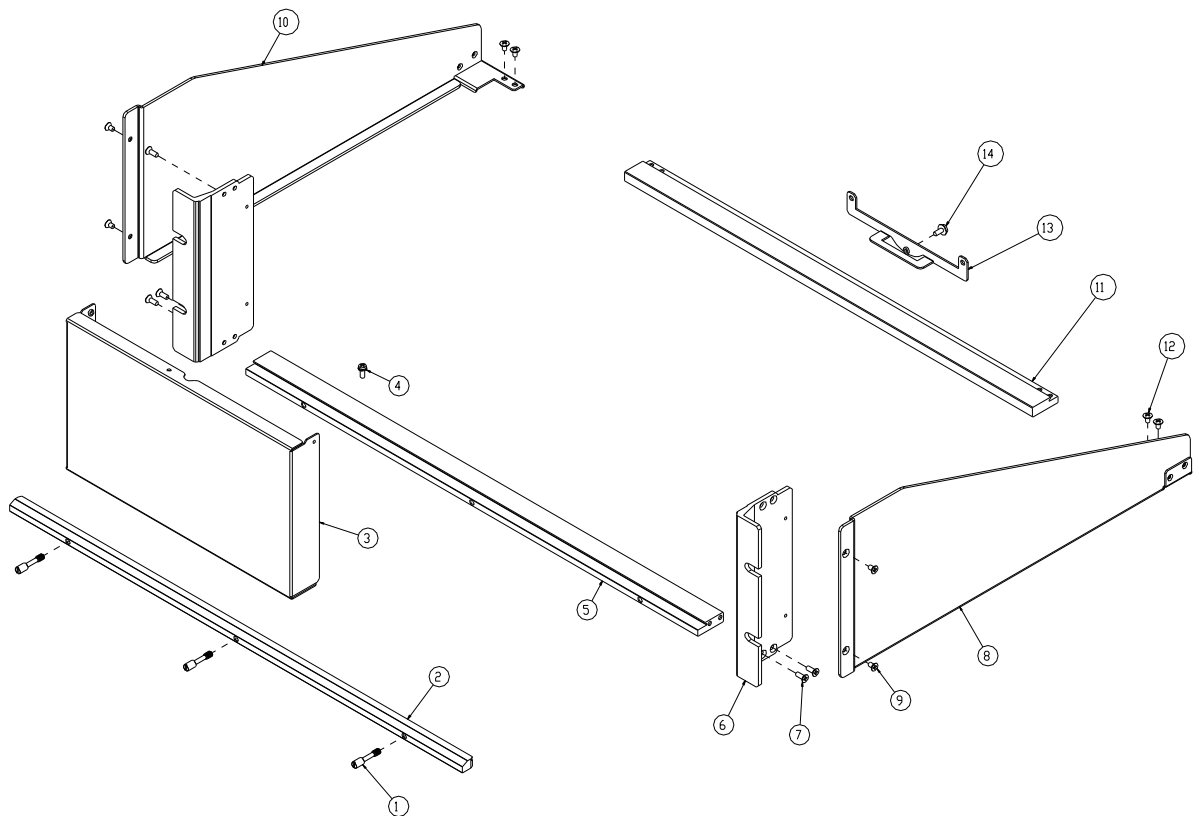
ITEM	Part NO.	Description	QTY
1	62RA-413HP201	JIS BRACKET 3U	2
2	62RA-413HP301	JIS RACK HP	1
3	594B-W008NS1	M3*8	4
4	594B-W3008NS1	M4*8	4



B. GRA-414 Part Details and Assembly:

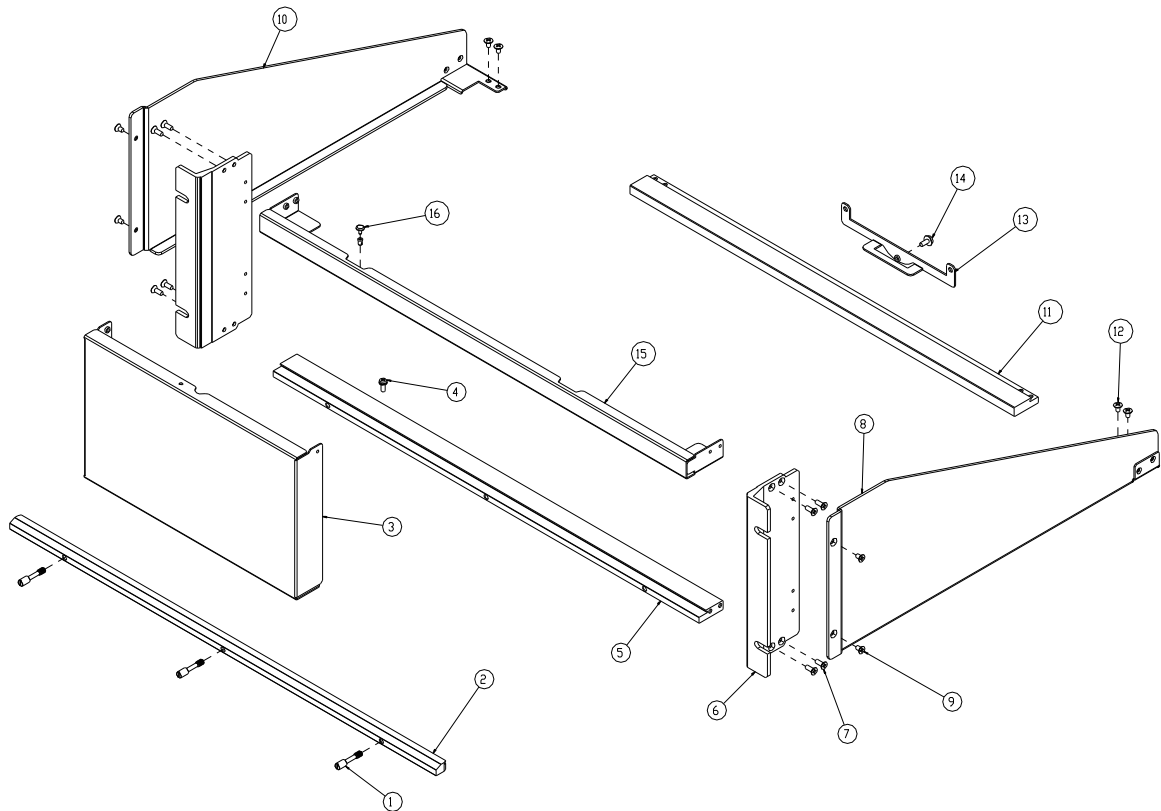
1. EIA Part Details:

ITEM	Part NO.	Description	QTY
1	59CA-04017NS1	Rack Screw	3
2	62RA-410HP201	Front Bracket	1
3	62RA-414HP201	BLANK PANEL	1
4	592B-W3008NS1	PMS-W-3*8	1
5	62RA-410HP101	Middle Bracket	1
6	62RA-410HPAA1	EIA BRACKET 3U	2
7	593B-03008NS1	FMS-3*8	5
8	62RA-414RC101	Right Bracket	1
9	593B-03005NS1	FMS-3*5	4
10	62RA-414LC101	Left Bracket	1
11	62RA-414HP401	Rear Bracket	1
12	599B-03006NS1	IMS 3*6	4
13	62RA-414HP101	Rack HP	2
14	594B-W3008NS1	BMS-W-3*8	2



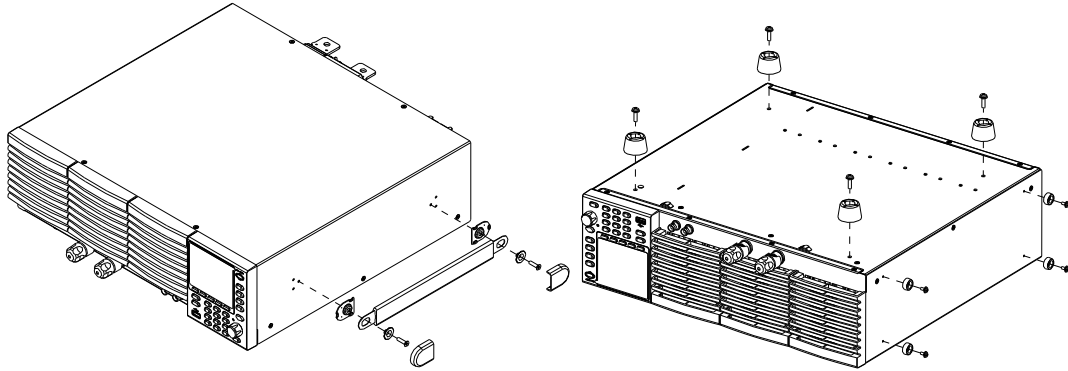
2. JIS Part Details:

ITEM	Part NO.	Description	QTY
1	59CA-04017NS1	Rack Screw	3
2	62RA-410HP201	Front Bracket	1
3	62RA-414HP201	BLANK PANEL	1
4	592B-W3008NS1	PMS-W-3*8	1
5	62RA-410HP101	Middle Bracket	1
6	62RA-410HPBA1	JIS BRACKET 3U	2
7	593B-03008NS1	FMS-3*8	8
8	62RA-414RC101	Right Bracket	1
9	593B-03005NS1	FMS-3*5	4
10	62RA-414LC101	Left Bracket	1
11	62RA-414HP401	Rear Bracket	1
12	599B-03006NS1	IMS 3*6	4
13	62RA-414HP101	Rack HP	2
14	594B-W3008NS1	BMS-W-3*8	2
15	62RA-414HP301	Top Bracket	1
16	5320-00403001	SR-3S	1

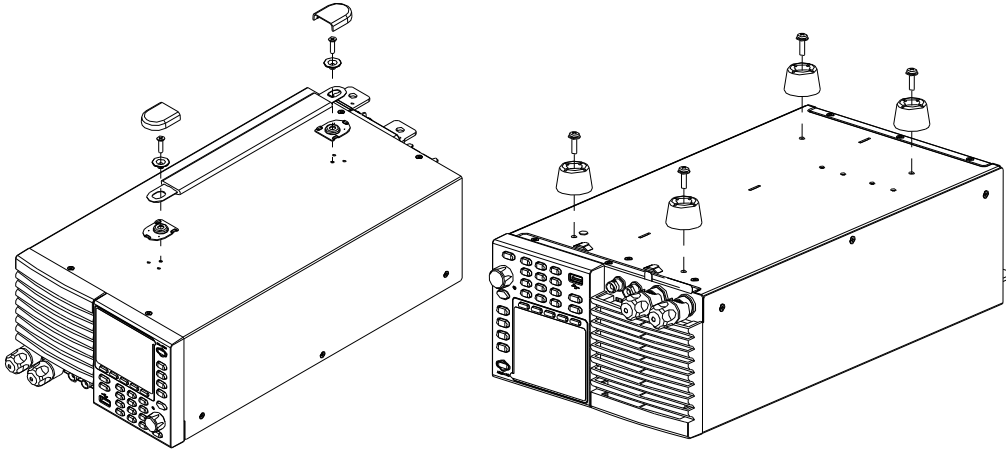


C. Removing the handle and Feet from the Instrument:

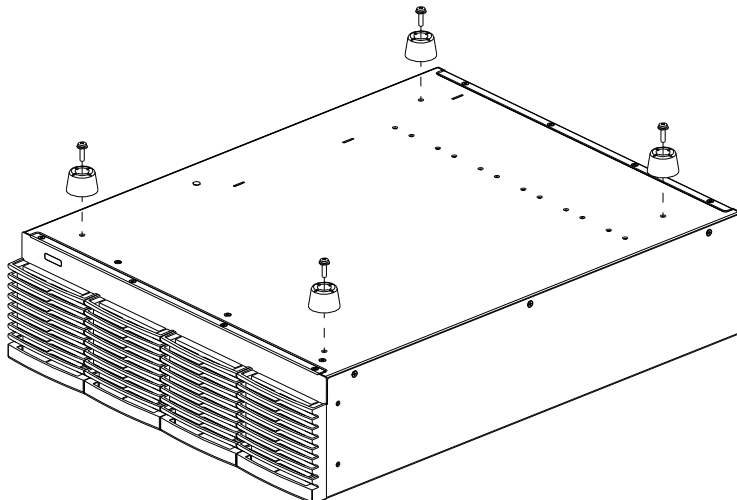
1. PEL-3111A/AH. Removing the handle and feet.



2. PEL-3041A/AH and PEL-3021A/AH. Removing the handle and feet.

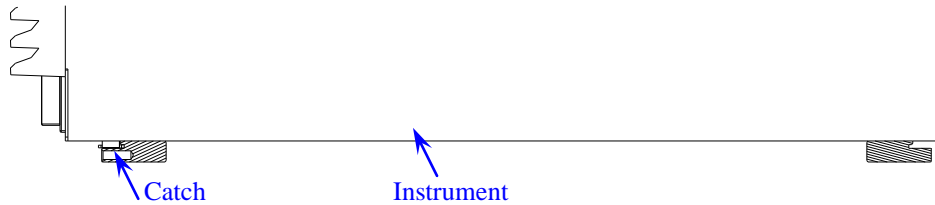


3. PEL-3211A/AH. Removing the feet.

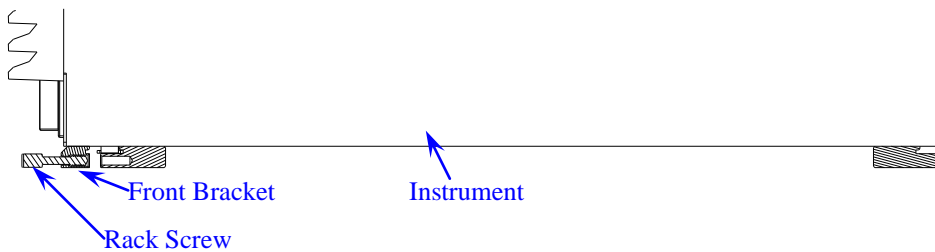


D. Assembling the Rack to the Instrument:

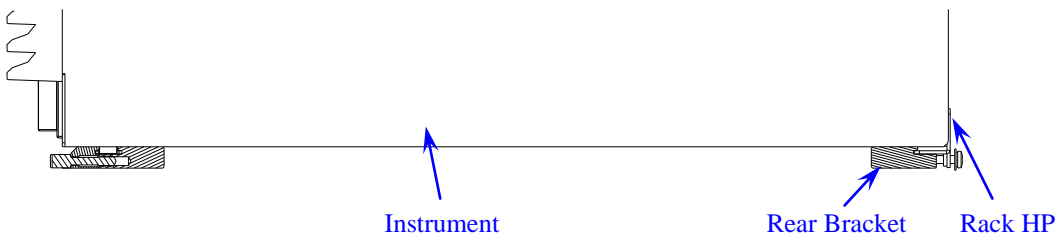
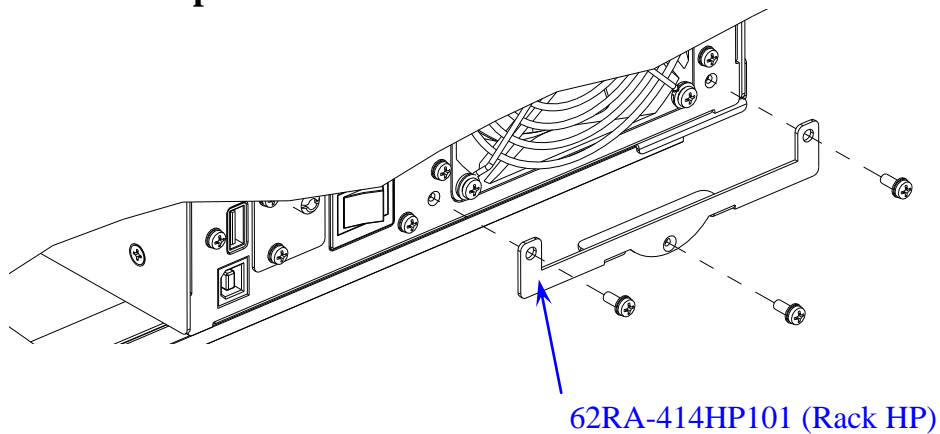
1. The instrument should be installed horizontally onto the rack. Make sure the middle bracket lines up with the catch on the underside of the instrument.



2. Attach the front bracket to the middle bracket with the rack screws.

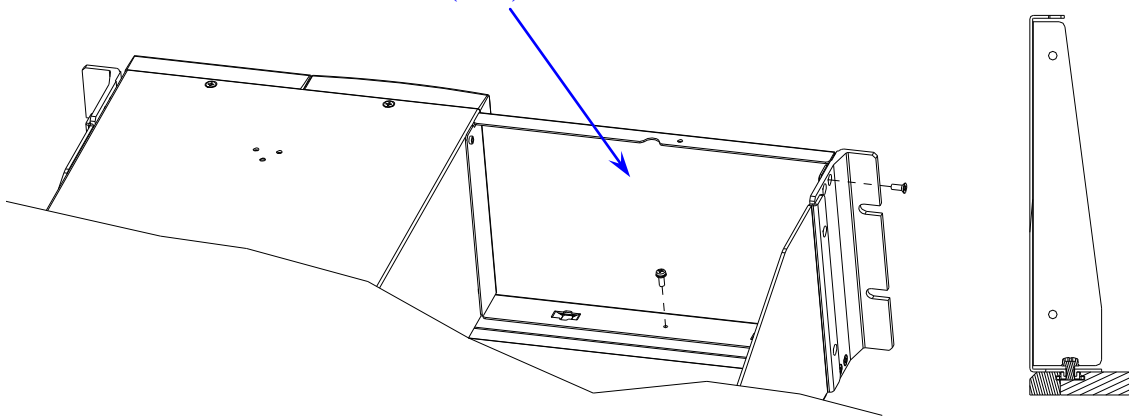


3. Attach the rack holding plate (RACK HP) to the groove in the rear bracket and to the instrument.

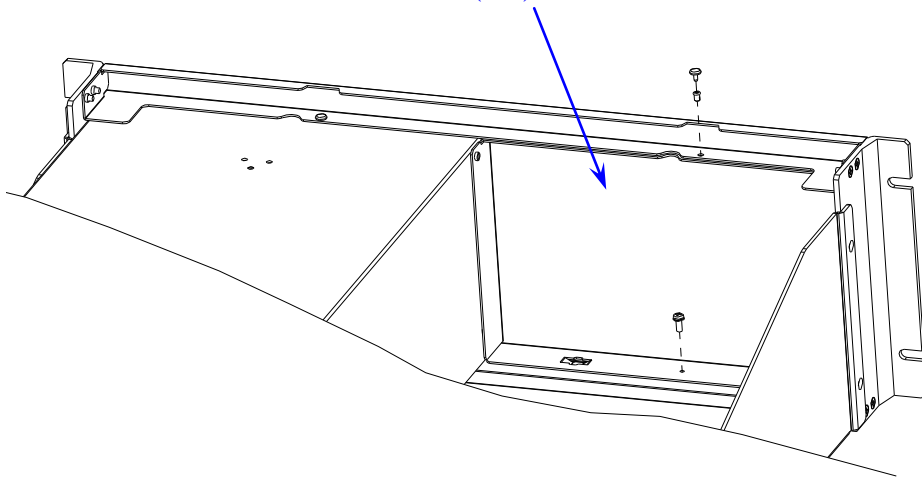
**E. Schematic diagram for the assembly of the rack holding plates to the rear panel:**

F. Blank Panel Installation Diagram:

BLANK PANEL (EIA)

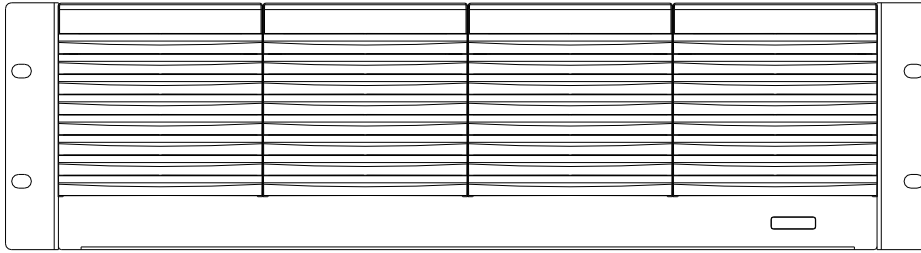


BLANK PANEL (JIS)

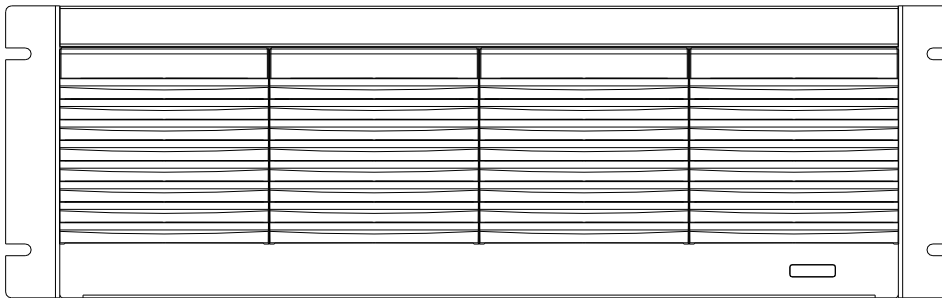


G. GRA-413 and GRA-414 Front View

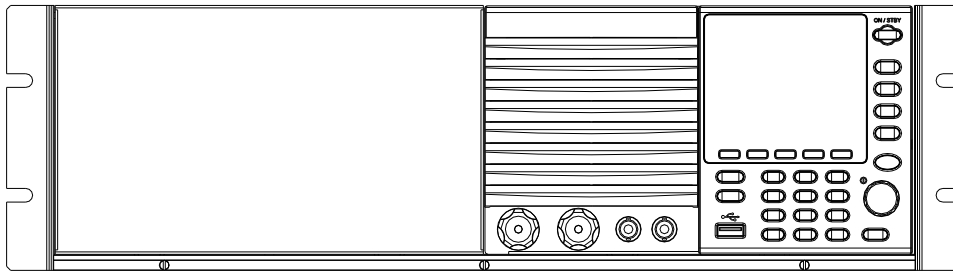
GRA-413-E (PEL-3211A/AH)



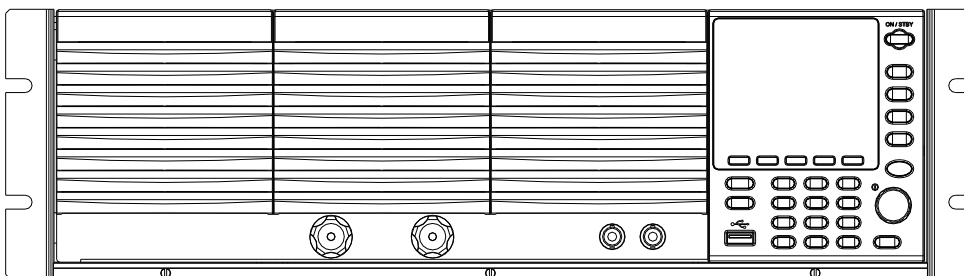
GRA-413-J (PEL-3211A/AH)



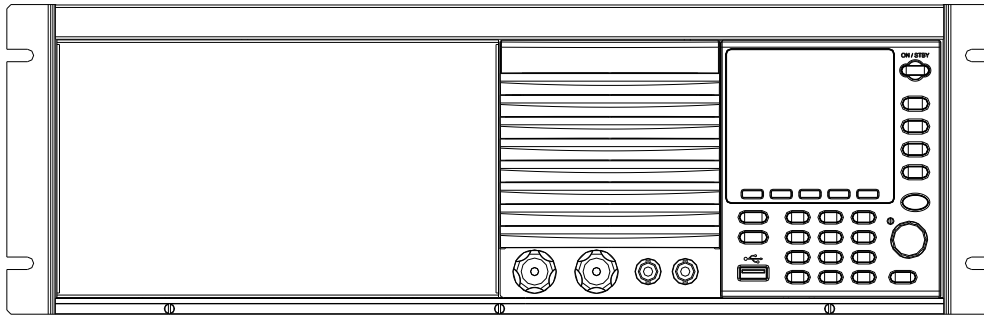
GRA-414-E (PEL-3021A/AH, PEL-3041A/AH), Half Rack



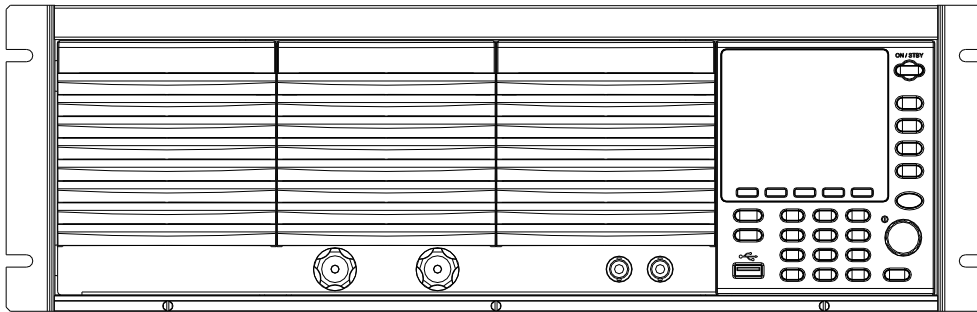
GRA-414-E (PEL-3111A/AH), Full Rack



GRA-414-J (PEL-3021A/AH, PEL-3041A/AH), Half Rack

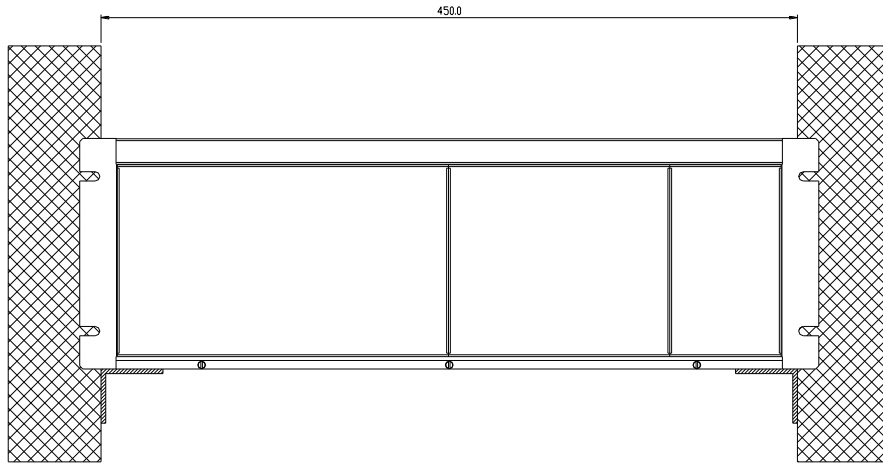


GRA-414-J (PEL-3111A/AH), Full Rack

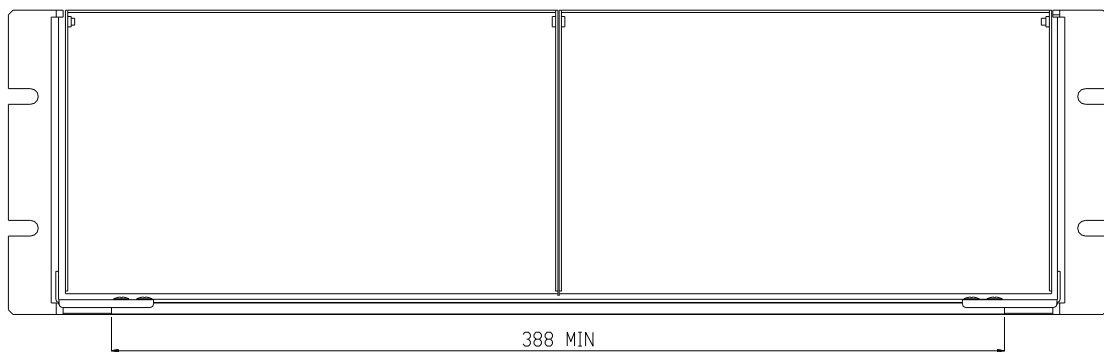


H. Note:

1. Load weight: Max=20kg
2. Rack cabinet installation diagram:



3. Precautions for cabinets with L-bracket supports:



For rack cabinets that use L-brackets, please be aware of the size limitations, as shown above.