

Rack Adapter Panel

GRA-417

GW INSTEK

Assembly Manual

GW INSTEK PART NO. 82RA-41700MA1

This assembly manual contains proprietary information, which is protected by copyrights. All rights are reserved. No part of this manual may be photocopied, reproduced or translated to another language without prior written consent of Good Will company.

The information in this manual was correct at the time of printing. However, Good Will continues to improve products and reserves the rights to change specification, equipment, and maintenance procedures at any time without notice.

Good Will Instrument Co., Ltd.
No. 7-1, Jhongsing Rd., Tucheng Dist., New Taipei City 236, Taiwan.



ISO-9001 CERTIFIED MANUFACTURER

GW INSTEK

GRA-417

The GRA-417 rack mount is suited for the GCT-9040, GPT-9601, GPT-9602, GPT-9603, GPT-9612, GPT-9801, GPT-9802, GPT-9803, GPT-9804, GPT-9901A, GPT-9902A and GPT-9903A. The GRA-417 supports the EIA standards for use with standard-sized rack units. The GRA-417 holds one GPT unit and fits in a standard 19" 4U rack.

Rack Mount Adapter Component List and Assembly

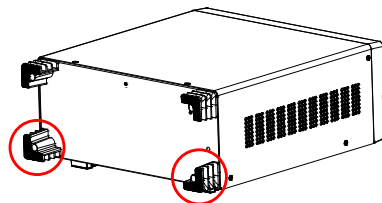
Description Please check to make sure all the components of the GRA-417 rack mount kit are provided.

GRA-417 Assembly	Item	Part NO.	Description	QTY
	1	62RA-417HP101	L type bracket	4
	2	594B-W3008NS1	Screw BMS M3*8 ISO N (WASHER P.S), ROHS	2
	3	594B-W4010NS1	SCREW MS ,+ ,4*10*0.7P ,ISO ,N 7 (WASHER P.S) ,RoHS	7
	4	62RA-417LO101	GRA-417 Bottom cover	1
	5	62RA-417FP1A1	GRA-417 Front plate	1
	6	62PA-340HD101	CA PA 3U Handle, ROHS	2
	7	592B-W4016NS1	SCREW PMS ,+ ,4*16 ,ISO ,N (WASHER P.S) ,RoHS	4

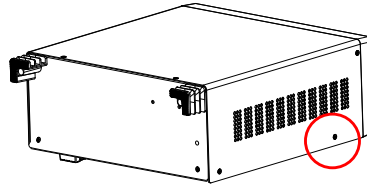
Assembly

Initial setup

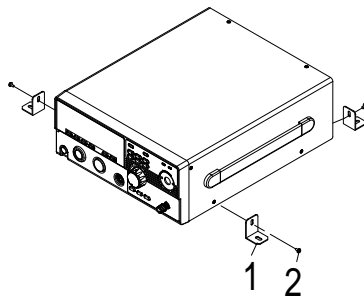
1. Remove the bottom two rear panel feet from the unit.



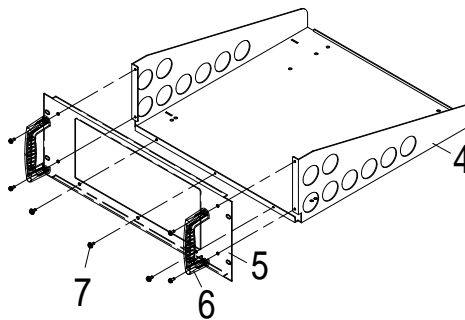
2. Remove a screw from each side panel (bottom front) from the unit. 2 screws in total, one hidden from view in the diagram below).



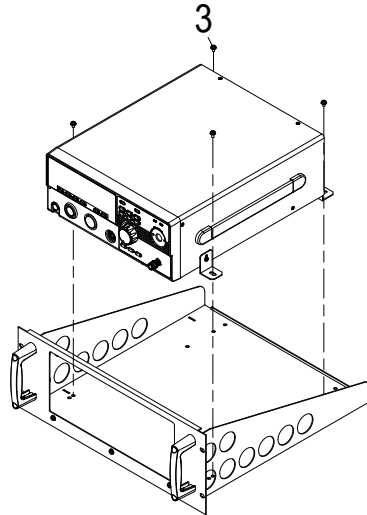
3. Attach the 4 L-type brackets using the 594B-W3008NS1 screws to the unit.



4. Attach the front plate and handles to the bottom cover using the 594B-W4010NS1 screws.



5. Attach the unit to the bottom plate with the L-brackets and the 594B-W4010NS1 screws. Make sure the front panel butts up against the front plate of the rack.



Dimensions

