

Rack Adapter Panel

GRA-438

GW INSTEK

Assembly Manual

GW INSTEK PART NO. 82RA-43800M01

This assembly manual contains proprietary information, which is protected by copyrights. All rights are reserved. No part of this manual may be photocopied, reproduced or translated to another language without prior written consent of Good Will company.

The information in this manual was correct at the time of printing. However, Good Will continues to improve products and reserves the rights to change specification, equipment, and maintenance procedures at any time without notice.

Good Will Instrument Co., Ltd.
No. 7-1, Jhongsing Rd., Tucheng Dist., New Taipei City 236, Taiwan.



ISO-9001 CERTIFIED MANUFACTURER

GW INSTEK

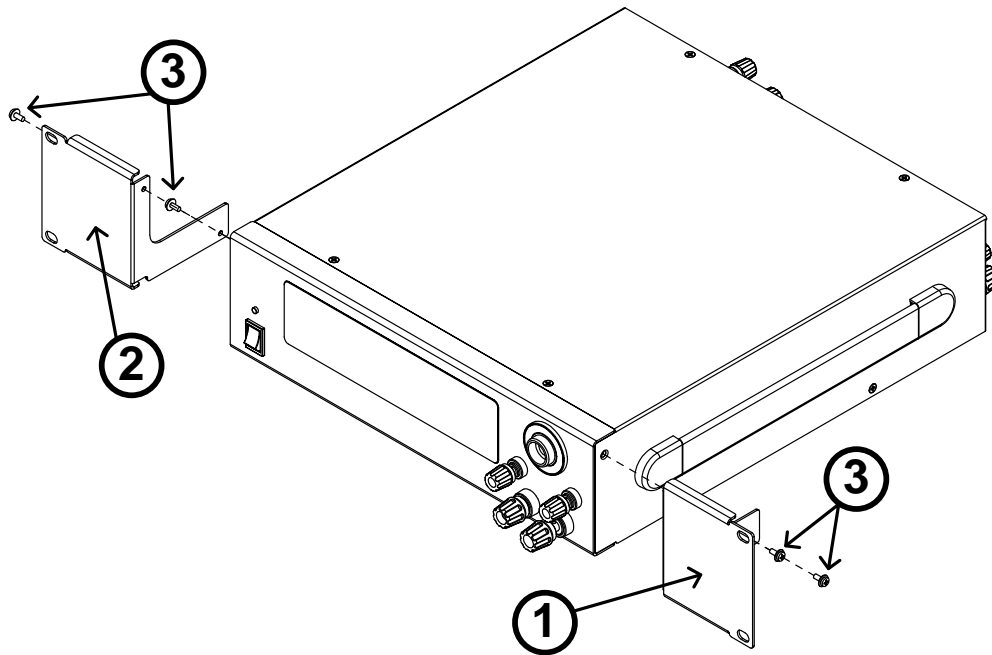
GRA-438

Overview

The GRA-438 rack mount is specifically suited for the GSB-01 & GSB-02 Series Multiplex Scanner Box. The GRA-438 is designed to hold one GSB unit and fits in a standard 19" 2U rack.

Rack Mount Adapter Component List

Description Please check to make sure all the components of the GRA-438 rack mount kit are well provided as listed below.

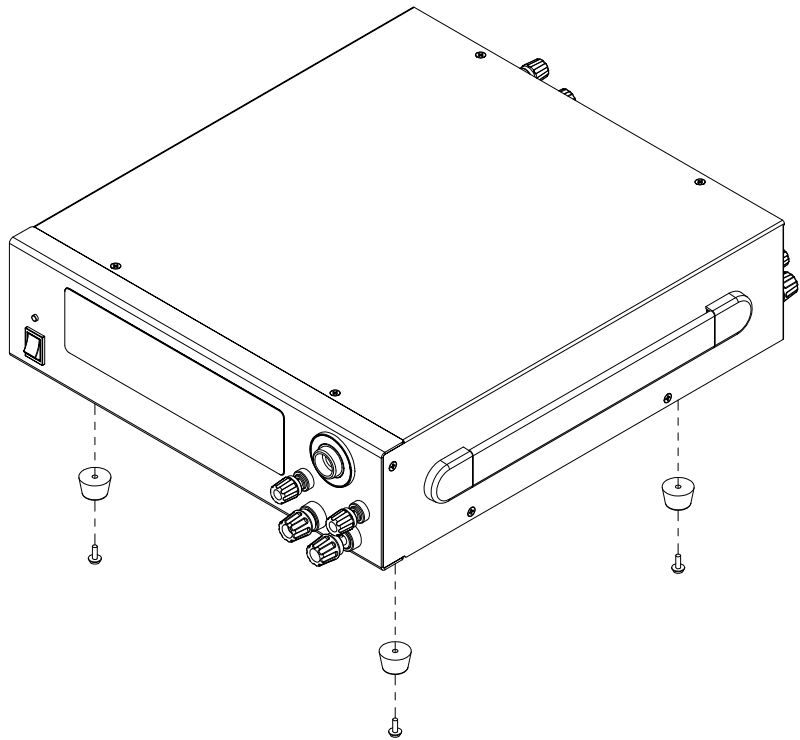


GRA-438 Assembly	Item	Part NO.	Description	QTY
	1	62RA-438HP101	GRA-438 RIGHT BRACKET	1
	2	62RA-438HP201	GRA-438 LEFT BRACKET	1
	3	592B-W3008NS1	SCREW PMS ,+ ,M3*8 ,ISO ,N (WASHER P.S) ,RoHS	4

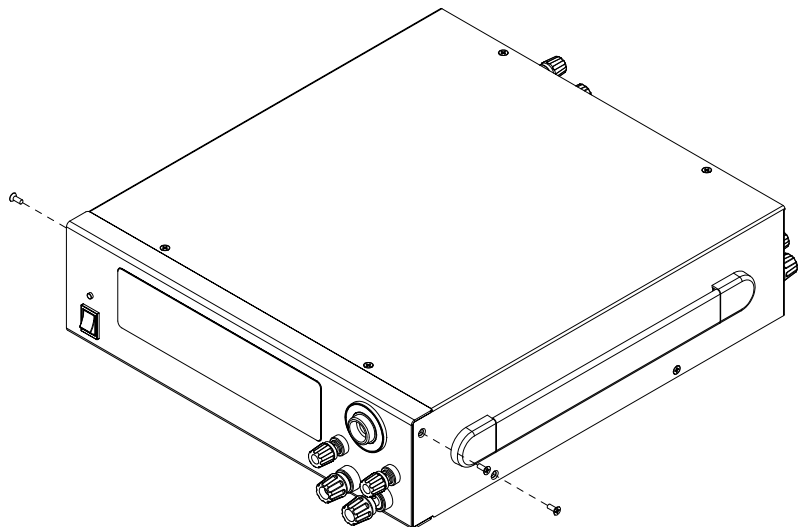
Rack Adaptor Assembly

Steps

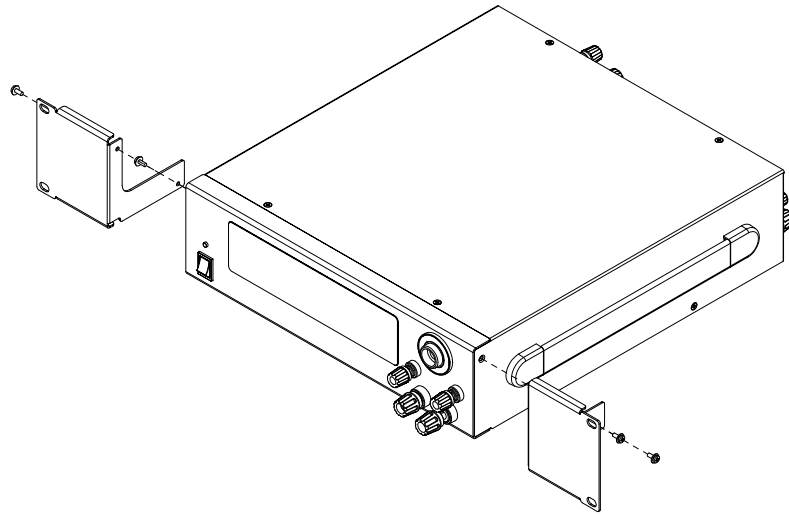
1. Loosen the 4 screws followed by dismantling both screws and protection feet from the GSB unit.



2. Further loosen the 4 screws in both left and right sides of the front end (2 screws in each side, respectively).



3. Fasten the GRA-438 along with its screws on both sides of the GSB unit.



4. The assembly is completed accordingly.

