

Rack Adapter Panel

GRA-410



Assembly Manual

GW INSTEK PART NO. 82RA-41000MD1

This assembly manual contains proprietary information, which is protected by copyrights. All rights are reserved. No part of this manual may be photocopied, reproduced or translated to another language without prior written consent of Good Will company.

The information in this manual was correct at the time of printing. However, Good Will continues to improve products and reserves the rights to change specification, equipment, and maintenance procedures at any time without notice.

Good Will Instrument Co., Ltd.
No. 7-1, Jhongsing Rd., Tucheng Dist., New Taipei City 236, Taiwan.



ISO-9001 CERTIFIED MANUFACTURER

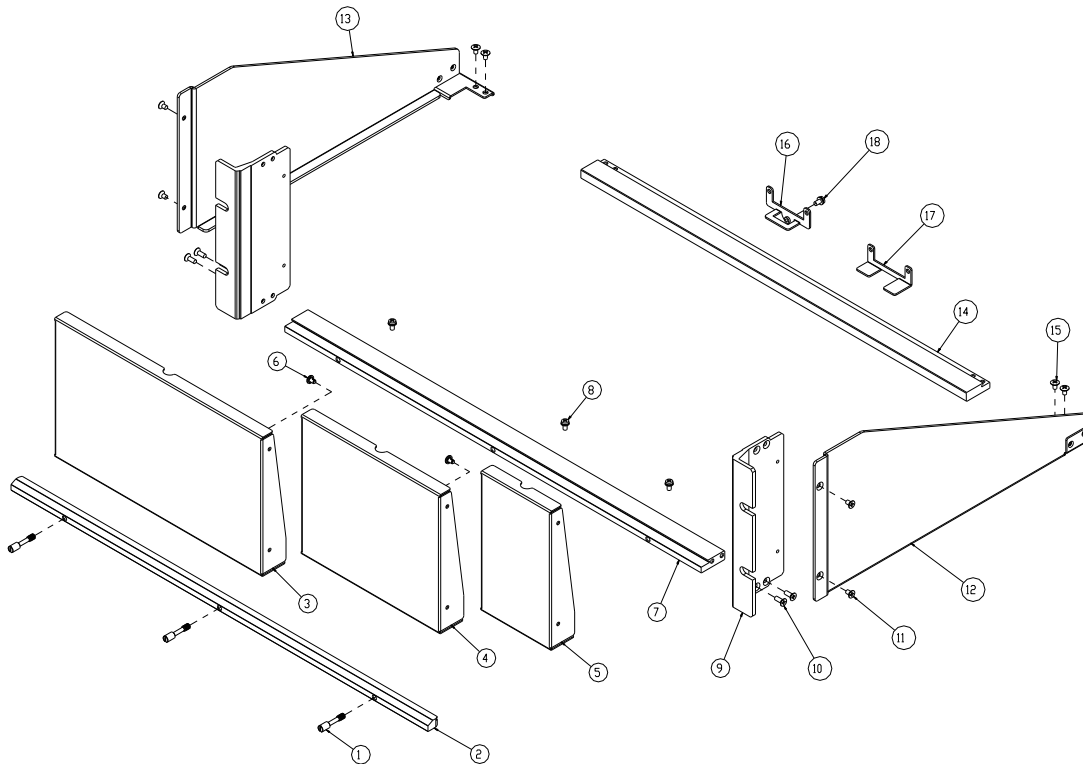
GW INSTEK

GRA-410

The GRA-410 rack mount is suited for the PSW Multi Range DC Power Supplies. The GRA-410 supports both the EIA (GRA-410-E) and JIS (GRA-410-J) standards for use with standard sized rack units. Incorporating a strong frame and robust design, the GRA-410 can fit up to 6 Type I, 3 Type II or 2 Type III PSW power supplies.

Rack Mount Adapter Component List and Assembly

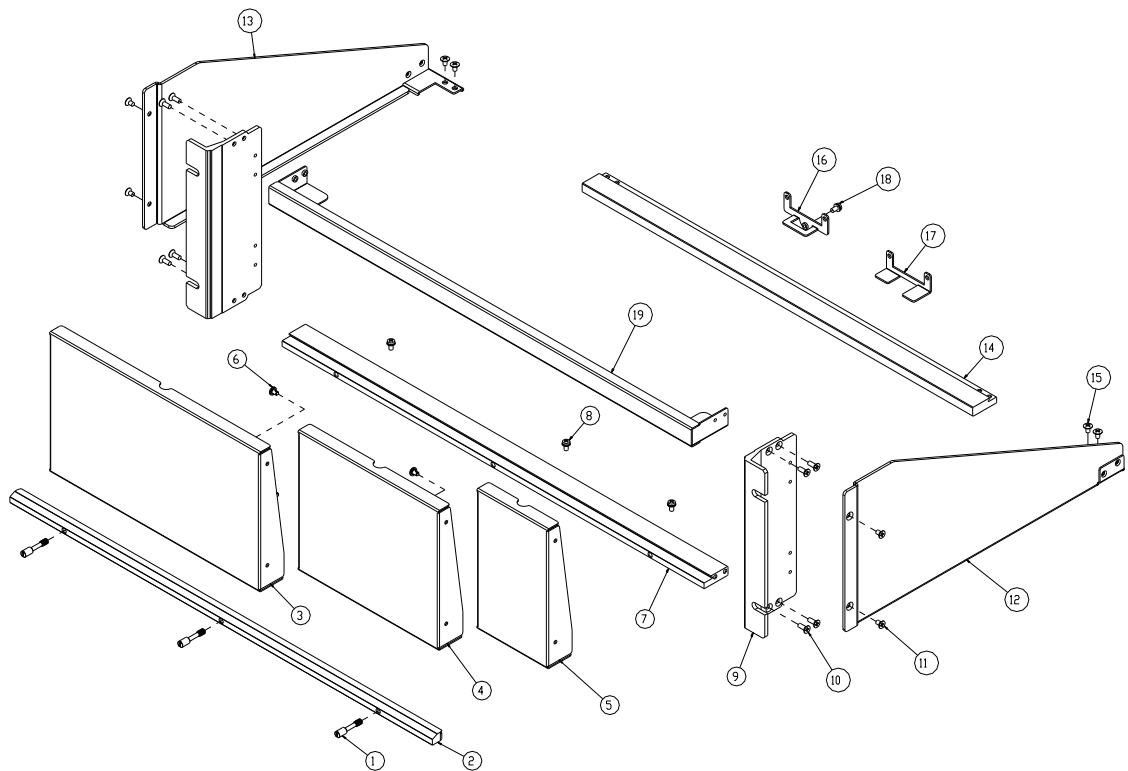
Description Please check to make sure all the components of the GRA-410 rack mount kit are provided. The JIS and EIA rack mounts have slightly different component sets.



GRA-410-E

GRA-410-E Assembly	Item	Part NO.	Description	QTY
	1	59CA-04017NS1	Rack Screw	3
	2	62RA-410HP201	Front Bracket	1
	3	62RA-410HP801	BLANK PANEL	1

4	62RA-410HP701	BLANK PANEL	1
5	62RA-410HP601	BLANK PANEL	1
6	5320-00403001	SR-3S	4
7	62RA-410HP101	Middle Bracket	1
8	592B-W3008NS1	PMS-W-3*8	3
9	62RA-410HPAA1	EIA BRACKET 3U	2
10	593B-03008NS1	FMS-3*8	4
11	593B-03005NS1	FMS-3*5	4
12	62RA-410HP5B1	Right Bracket	1
13	62RA-410HP4A1	Left Bracket	1
14	62RA-410HP3A1	Rear Bracket	1
15	599B-03006NS1	IMS 3*6	4
16	62RA-410HP9A1	Rack HP	5
17	62RA-410HPD01	Rack HP	1
18	594B-W3008NS1	BMS-W-3*8	5



GRA-410-J

**GRA-410-J
Assembly**

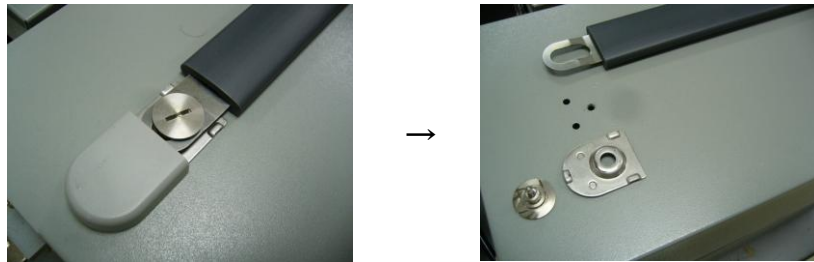
Item	Part NO.	Description	QTY
1	59CA-04017NS1	Rack Screw	3
2	62RA-410HP201	Front Bracket	1
3	62RA-410HP801	BLANK PANEL	1
4	62RA-410HP701	BLANK PANEL	1
5	62RA-410HP601	BLANK PANEL	1
6	5320-00403001	SR-3S	4
7	62RA-410HP101	Middle Bracket	1
8	592B-W3008NS1	PMS-W-3*8	3
9	62RA-410HPBA1	JIS BRACKET 3U	2
10	593B-03008NS1	FMS-3*8	8
11	593B-03005NS1	FMS-3*5	4
12	62RA-410HP5B1	Right Bracket	1
13	62RA-410HP4A1	Left Bracket	1

14	62RA-410HP3A1	Rear Bracket	1
15	599B-03006NS1	IMS 3*6	4
16	62RA-410HP9A1	Rack HP	5
17	62RA-410HPD01	Rack HP	1
18	594B-W3008NS1	BMS-W-3*8	5
19	62RA-410HPC01	TOP Bracket	1

Assembly

Initial setup

1. Remove the handle (from) the power supply units.
 - Remove the handle cover.
 - Remove the screws securing the handle to the case.
 - Remove the handle.

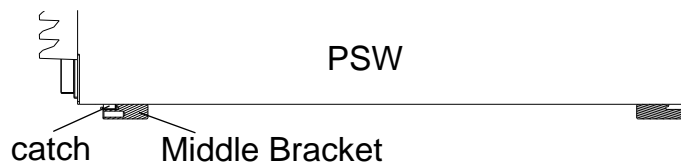


2. Remove the feet from the underside of the PSW.

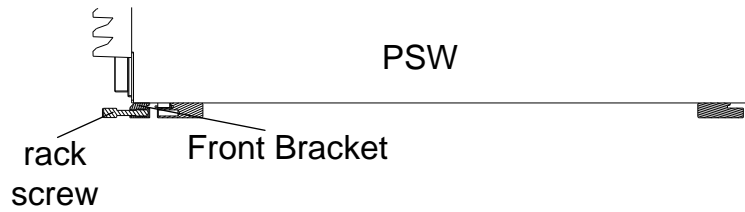


Instrument insertion

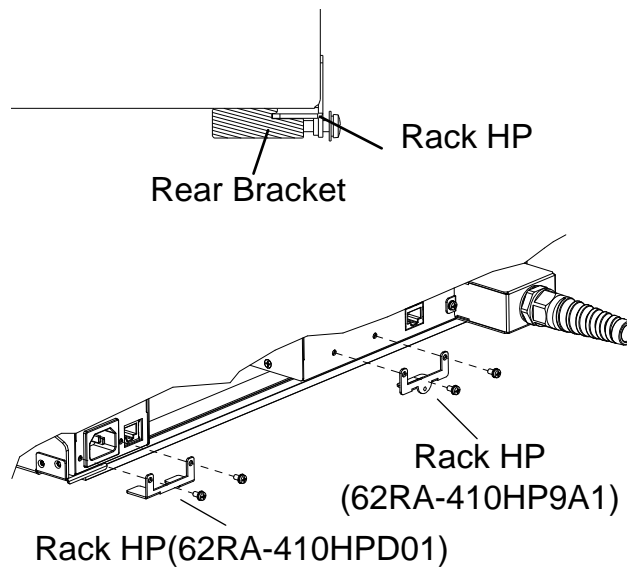
1. Ensure the Middle Bracket is latched onto the catch on the underside of the PSW.



2. Attach the Front Bracket to the Middle Bracket with the rack screws.



3. Secure the Rack Holding Plates (Rack HP) to the groove on the Rear Bracket and to the instrument(s).

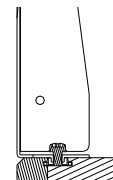


Note

When the instrument is to be installed in a fixed position as shown in the diagram, use the 62RA-410HPP01 rack holding plates. In places other than a fixed position, please use the 62RA-410HP9A1 instead.

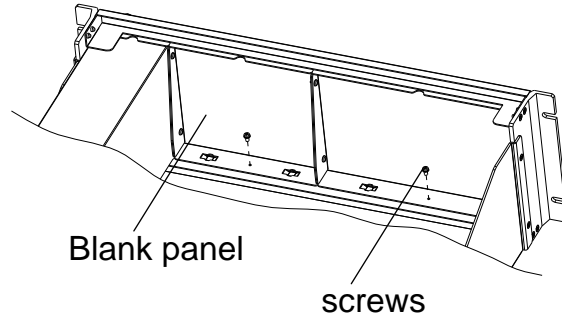
Blank panel insertion

1. Insert the required number of blank panels into the groove of the Front and Middle Brackets.



- Secure the panels with the PMS-W-3*8 screws.

Use the SR-3S pins to hold two adjacent brackets together.

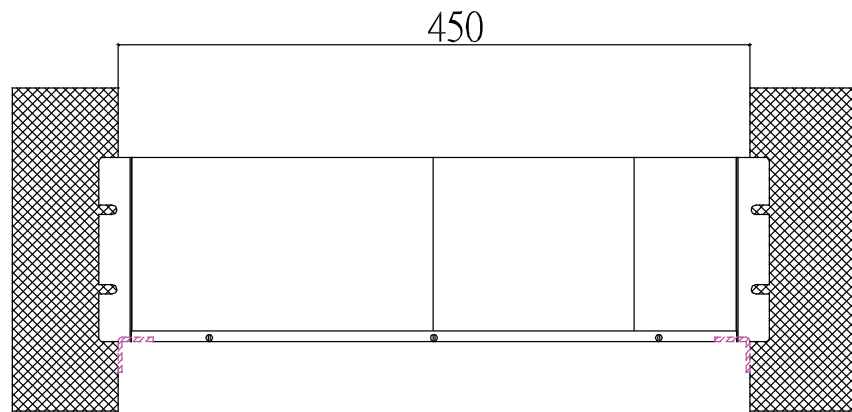


Specification

Load Capacity Max 20kg

Rack Weight GRA-410-E: 1.0kg
 GRA-410-J: 1.2kg

Rack installation
 Diagram



Please note the minimum width that is needed to be supported on the L-brackets.

