

Vertical Stack Rack Mount and Bus Bar kits for the PSU Series

PSU-01A, PSU-02A, PSU-03A and PSU-01B, PSU-02B, PSU-03B

ASSEMBLY MANUAL

GW INSTEK PART NO. 82SU-03A00MA1



ISO-9001 CERTIFIED MANUFACTURER

GW INSTEK

This manual contains proprietary information, which is protected by copyright. All rights are reserved. No part of this manual may be photocopied, reproduced or translated to another language without prior written consent of Good Will Corporation.

The information in this manual was correct at the time of printing. However, Good Will continues to improve its products and therefore reserves the right to change the specifications, equipment, and maintenance procedures at any time without notice.

Good Will Instrument Co., Ltd. No. 7-1, Jhongsing Rd., Tucheng Dist., New Taipei City 236, Taiwan.

OVERVIEW

The PSU-01A, PSU-02A and PSU-03A are 19" rack mount kits used to join vertical stacks of respectively **two (2)**, **three (3)** and **four (4)** PSU Series Programmable DC Power Supply units together. They are designed for use with standard sized rack units.

The PSU-01B, PSU-02B and PSU-03B are Bus Bar kits used to connect the output terminals of respectively **two (2)**, **three (3)** and **four (4)** PSU Series Programmable DC Power Supply units together in **parallel mode connection**.

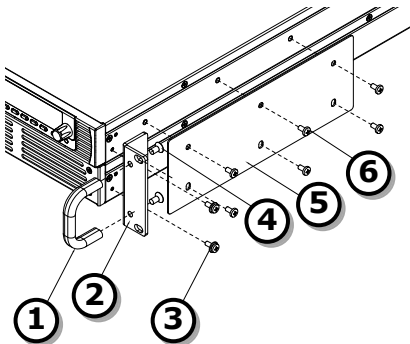
Part Number	Description
PSU-01A	Joins a vertical stack of 2 PSU-series units together.
PSU-01B	Bus bar for 2 PSU-series units in parallel mode connection.
PSU-02A	Joins a vertical stack of 3 PSU-series units together.
PSU-02B	Bus bar for 3 PSU-series units in parallel mode connection.
PSU-03A	Joins a vertical stack of 4 PSU-series units together.
PSU-03B	Bus bar for 4 PSU-series units in parallel mode connection.

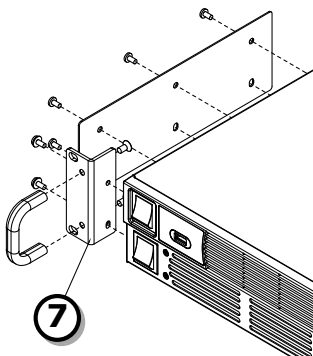
PSU-01A ASSEMBLY

Description The PSU-01A is a 19" rack mount accessory used to join a vertical stack of **two (2)** PSU Series Programmable DC Power Supply units together.

Please check to make sure all the components of the PSU-01A kit are provided.

Assembly
step 1

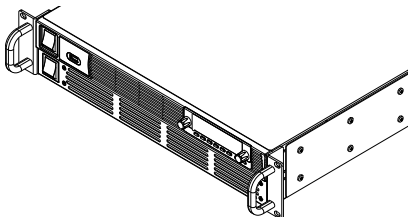




**PSU-01A
Part List**

Item	Part No.	Description	Qty
1	62RA-423HD101	CA GRA-423 2U HANDLE, 2 OA-12.055.01, AL, RoHS	2
2	62SU-01AHP101	CA PSU-01A 2U LEFT HOLDER, RoHS	1
3	594B-W4010FS1	SCREW BMS ,M4*10L ,ISO ,N (WASHER) P.S ,RoHS	4
4	593B-05010NS1	SCREW FMS 5*10 ISO, N, RoHS	4
5	62SU-01ASC101	CA PSU-01A 2U SLIDE COVER, RoHS	2
6	592B-04809ZF1	SCREW PAN, +, UNF #10- 32*3/8" L=8.9, ZINC, RoHS	12
7	62SU-01AHP201	CA PSU-01A 2U RIGHT HOLDER, RoHS	1

Appearance



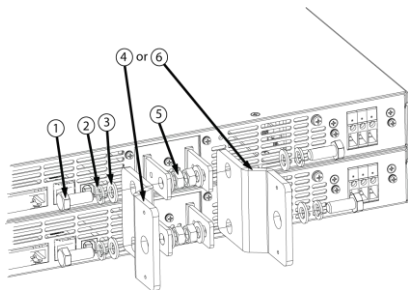
PSU-01B ASSEMBLY

Description The PSU-01B is a Bus Bar kit used to connect the output terminals of **two (2)** PSU Series Programmable DC Power Supply units together in **parallel mode connection**.

Please check to make sure all the components of the PSU-01B kit are provided.

Two types of conducting plates with M8 or M12 size screws, washers and nuts are provided for a total output current of up to 500A and 800A, respectively. Please verify your configuration before starting the assembly.

Assembly
step 1

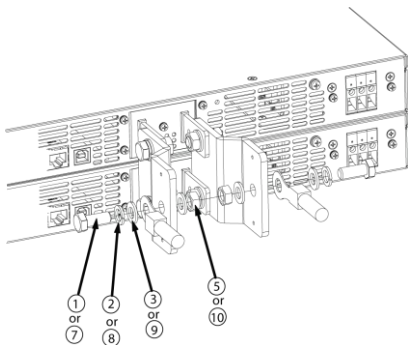


Note

Use two conducting plates ④ if the total output current for your configuration does not exceed 500A.

Use two conducting plates ⑥ if the total output current for your configuration exceeds 500A (up to 800A).

Assembly step 2



Note

If conducting plates ④ were chosen on step 1, use the ①, ②, ③ and ⑤ screws, washers and nuts.

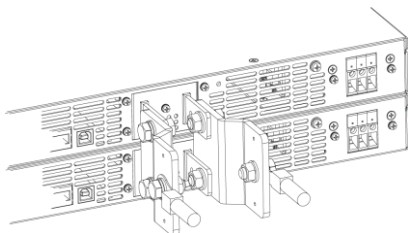
If conducting plates ⑥ were chosen on step 1, use the ⑦, ⑧, ⑨ and ⑩ screws, washers and nuts.

PSU-01B Part List

Item	Part No.	Description	Qty
1	596M-08020NS1	SCREW HMS, M8*20, ISO, N, RoHS	6
2	61SF-084137N1	WASHER SPRING M8, 8.4*13.7*1.5T, N, RoHS	6
3	61PF-084160N1	WASHER PLAIN M8, 8.4*16*1.6T, N, RoHS	12
4	62SU-200CPB01	CA PSU-1U M8 OUTPUT CONDUCT PLATE (500A) RoHS	2
5	6001-FN0080S1	NUT HEXAGON M8*0.75P, ISO, N, RoHS	6
6	62SU-200CPC01	CA PSU-1U M12 OUTPUT CONDUCT PLATE (800A) RoHS	2
7	596M-12035NS1	SCREW HMS, M12*35L*1.75P*19B*7.5T, ISO, N, RoHS	2
8	61SF-120205N1	WASHER SPRING M12, 12*20.5*2.5T, N, RoHS	2
9	61PF-120240N1	WASHER PLAIN M12, 12*24*2.5T, N, RoHS	4

10	6001- FN0122S1	NUT HEXAGON, M12*1.75P*19B*10T, ISO, N, RoHS	2
----	-------------------	--	---

Appearance

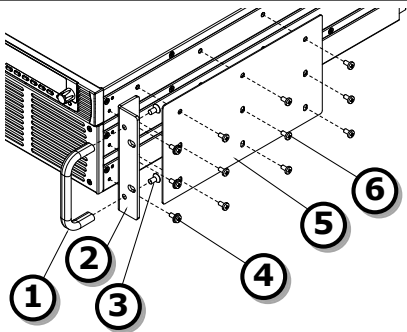


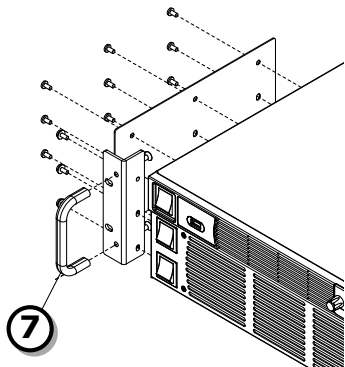
PSU-02A ASSEMBLY

Description The PSU-02A is a 19" rack mount accessory used to join a vertical stack of **three (3)** PSU Series Programmable DC Power Supply units together.

Please check to make sure all the components of the PSU-02A kit are provided.

Assembly
step 1

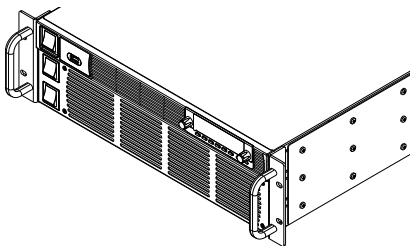




**PSU-02A
Part List**

Item	Part No.	Description	Qty
1	62SU-03AHD101	CA PSU 3U/4U HANDLE, OA-12.088.01, AL, RoHS	2
2	62SU-02AHP101	CA PSU-02A 3U LEFT HOLDER, RoHS	1
3	593B-05010NS1	SCREW FMS 5*10 ISO, N, RoHS	4
4	594B-W4010FS1	SCREW BMS ,M4*10L ,ISO ,N (WASHER) P.S ,RoHS	6
5	62SU-02ASC101	CA PSU-02A 3U SLIDE COVER, RoHS	2
6	592B-04809ZF1	SCREW PAN, +, UNF #10-32*3/8" L=8.9, ZINC, RoHS	18
7	62SU-02AHP201	CA PSU-02A 3U RIGHT HOLDER, RoHS	1

Appearance



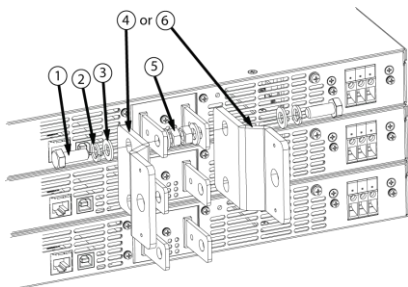
PSU-02B ASSEMBLY

Description The PSU-02B is a Bus Bar kit used to connect the output terminals of **three (3)** PSU Series Programmable DC Power Supply units together in **parallel mode connection**.

Please check to make sure all the components of the PSU-02B kit are provided.

Two types of conducting plates with M8 or M12 size screws, washers and nuts are provided for a total output current of up to 500A and 800A, respectively. Please verify your configuration before starting the assembly.

**Assembly
step 1**

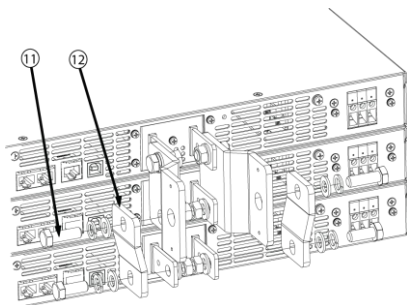


Note

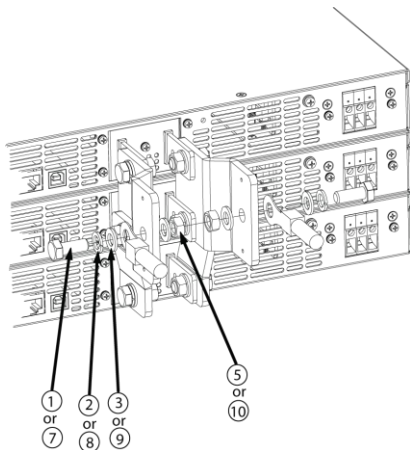
Use two conducting plates ④ if the total output current for your configuration does not exceed 500A.

Use two conducting plates ⑥ if the total output current for your configuration exceeds 500A (up to 800A).

Assembly
step 2



Assembly
step 3



Note

If conducting plates ④ were chosen on step 1, use the ①, ②, ③ and ⑤ screws, washers and nuts.

If conducting plates ⑥ were chosen on step 1, use the ⑦, ⑧, ⑨ and ⑩ screws, washers and nuts.

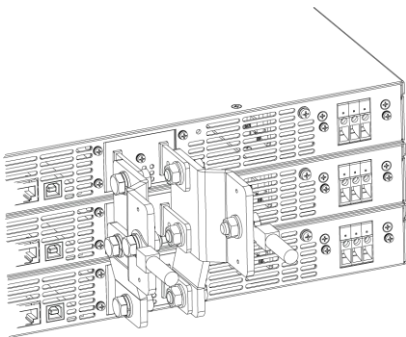
PSU-02B

Item Part No. Description

Qty

Part List	QTY	Part No.	Description	QTY
	1	596M-08020NS1	SCREW HMS, M8*20, ISO, N, RoHS	6
	2	61SF-084137N1	WASHER SPRING M8, 8.4*13.7*1.5T, N, RoHS	8
	3	61PF-084160N1	WASHER PLAIN M8, 8.4*16*1.6T, N, RoHS	16
	4	62SU-200CPB01	CA PSU-1U M8 OUTPUT CONDUCT PLATE (500A) RoHS	2
	5	6001-FN0080S1	NUT HEXAGON M8*0.75P, ISO, N, RoHS	8
	6	62SU-200CPC01	CA PSU-1U M12 OUTPUT CONDUCT PLATE (800A) RoHS	2
	7	596M-12035NS1	SCREW HMS, M12*35L*1.75P*19B*7.5T, ISO, N, RoHS	2
	8	61SF-120205N1	WASHER SPRING M12, 12*20.5*2.5T, N, RoHS	2
	9	61PF-120240N1	WASHER PLAIN M12, 12*24*2.5T, N, RoHS	4
	10	6001-FN0122S1	NUT HEXAGON, M12*1.75P*19B*10T, ISO, N, RoHS	2
	11	596M-08025NS1	SCREW HMS, M8*25, ISO, N, RoHS	2
	12	62SU-200CPA01	CA PSU-1U PARALLEL CONDUCT PLATE, RoHS	2

Appearance

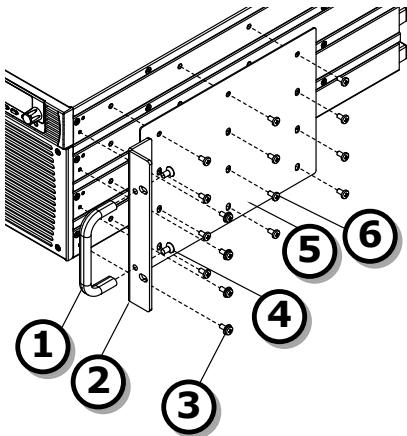


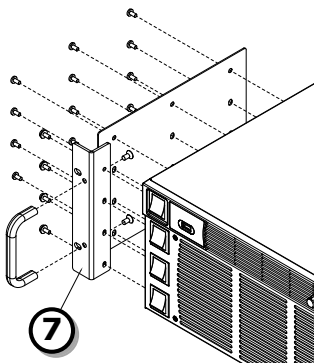
PSU-03A ASSEMBLY

Description The PSU-03A is a 19" rack mount accessory used to join a vertical stack of **four (4)** PSU Series Programmable DC Power Supply units together.

Please check to make sure all the components of the PSU-03A kit are provided.

**Assembly
step 1**

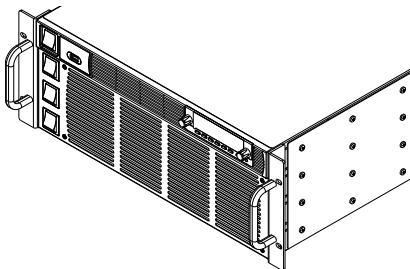




**PSU-03A
Part List**

Item	Part No.	Description	Qty
1	62SU-03AHD101	CA PSU 3U/4U HANDLE, OA-12.088.01, AL, RoHS	2
2	62SU-03AHP101	CA PSU-03A 4U LEFT HOLDER, RoHS	1
3	594B-W4010FS1	SCREW BMS ,M4*10L ,ISO ,N (WASHER) P.S ,RoHS	8
4	593B-05010NS1	SCREW FMS 5*10 ISO, N, RoHS	4
5	62SU-03ASC101	CA PSU-03A 4U SLIDE COVER, RoHS	2
6	592B-04809ZF1	SCREW PAN, +, UNF #10-32*3/8" L=8.9, ZINC, RoHS	24
7	62SU-03AHP201	CA PSU-02A 4U RIGHT HOLDER, RoHS	1

Appearance



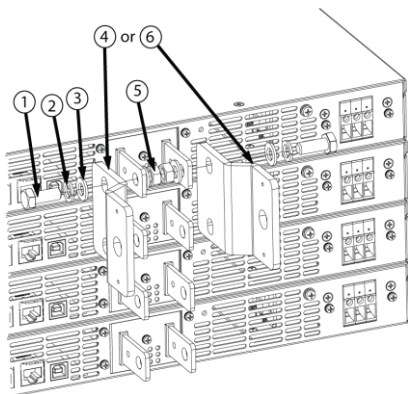
PSU-03B ASSEMBLY

Description The PSU-03B is a Bus Bar kit used to connect the output terminals of **four (4)** PSU Series Programmable DC Power Supply units together in **parallel mode connection**.

Please check to make sure all the components of the PSU-03B kit are provided.

Two types of conducting plates with M8 or M12 size screws, washers and nuts are provided for a total output current of up to 500A and 800A, respectively. Please verify your configuration before starting the assembly.

**Assembly
step 1**



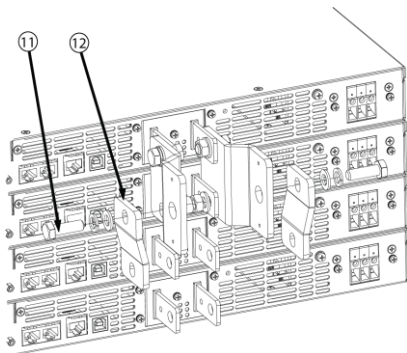


Note

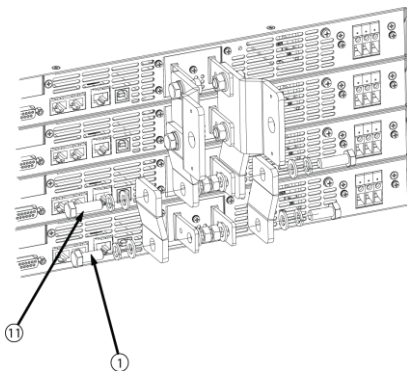
Use two conducting plates ④ if the total output current for your configuration does not exceed 500A.

Use two conducting plates ⑥ if the total output current for your configuration exceeds 500A (up to 800A).

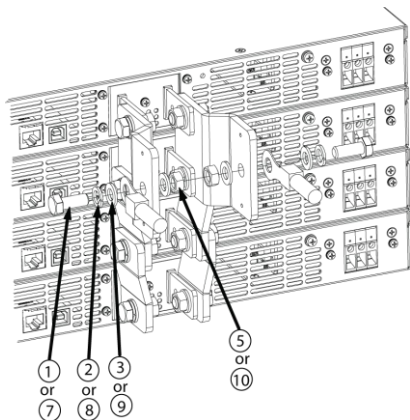
Assembly
step 2



Assembly
step 3



Assembly step 4



Note

If conducting plates ④ were chosen on step 1, use the ①, ②, ③ and ⑤ screws, washers and nuts.

If conducting plates ⑥ were chosen on step 1, use the ⑦, ⑧, ⑨ and ⑩ screws, washers and nuts.

PSU-03B Part List

Item	Part No.	Description	Qty
1	596M-08020NS1	SCREW HMS, M8*20, ISO, N, RoHS	6
2	61SF-084137N1	WASHER SPRING M8, 8.4*13.7*1.5T, N, RoHS	10
3	61PF-084160N1	WASHER PLAIN M8, 8.4*16*1.6T, N, RoHS	20
4	62SU-200CPB01	CA PSU-1U M8 OUTPUT CONDUCT PLATE (500A) RoHS	2
5	6001-FN0080S1	NUT HEXAGON M8*0.75P, ISO, N, RoHS	10
6	62SU-200CPC01	CA PSU-1U M12 OUTPUT CONDUCT PLATE (800A) RoHS	2
7	596M-12035NS1	SCREW HMS, M12*35L*1.75P*19B*7.5T, ISO, N, RoHS	2

8	61SF-120205N1	WASHER SPRING M12, 12*20.5*2.5T, N, RoHS	2
9	61PF-120240N1	WASHER PLAIN M12, 12*24*2.5T, N, RoHS	4
10	6001-FN0122S1	NUT HEXAGON, M12*1.75P*19B*10T, ISO, N, RoHS	2
11	596M-08025NS1	SCREW HMS, M8*25, ISO, N, RoHS	4
12	62SU-200CPA01	CA PSU-1U PARALLEL CONDUCT PLATE, RoHS	4

Appearance

