

PLR Interface Units

PLR-ARC, PLR-GU, PLR-LU, PLR-RS

GW INSTEK

Instruction Manual

This assembly manual contains proprietary information, which is protected by copyrights. All rights are reserved. No part of this manual may be photocopied, reproduced or translated to another language without prior written consent of Good Will company.

The information in this manual was correct at the time of printing. However, Good Will continues to improve products and reserves the rights to change specification, equipment, and maintenance procedures at any time without notice.

Good Will Instrument Co., Ltd.
No. 7-1, Jhongsing Rd., Tucheng Dist., New Taipei City 236, Taiwan.



ISO-9001 CERTIFIED MANUFACTURER

GW INSTEK

PLR INTERFACE

This instruction manual describes the installation procedure for the PLR-ARC, PLR-GU & PLR-LU interface unit for the PLR Series Power Supply Units. Refer to the PLR series power supply instruction manual for the information on the interface unit.

- PLR series power supply units are equipped with the PLR-RS RS-232 unit as a standard feature.

To install other interface units, follow the instructions below to remove the existing one.

- Set the operation of PLR-ARC, PLR-GU or PLR-LU by means of short pins on the interface unit.

Carefully check the operation setting before inserting the unit into the slot.

Uninstalling the Interface Unit

- Remove two setscrews (②) from the PLR-RS unit panel (①) on the rear side of the power supply unit, and detach the panel.

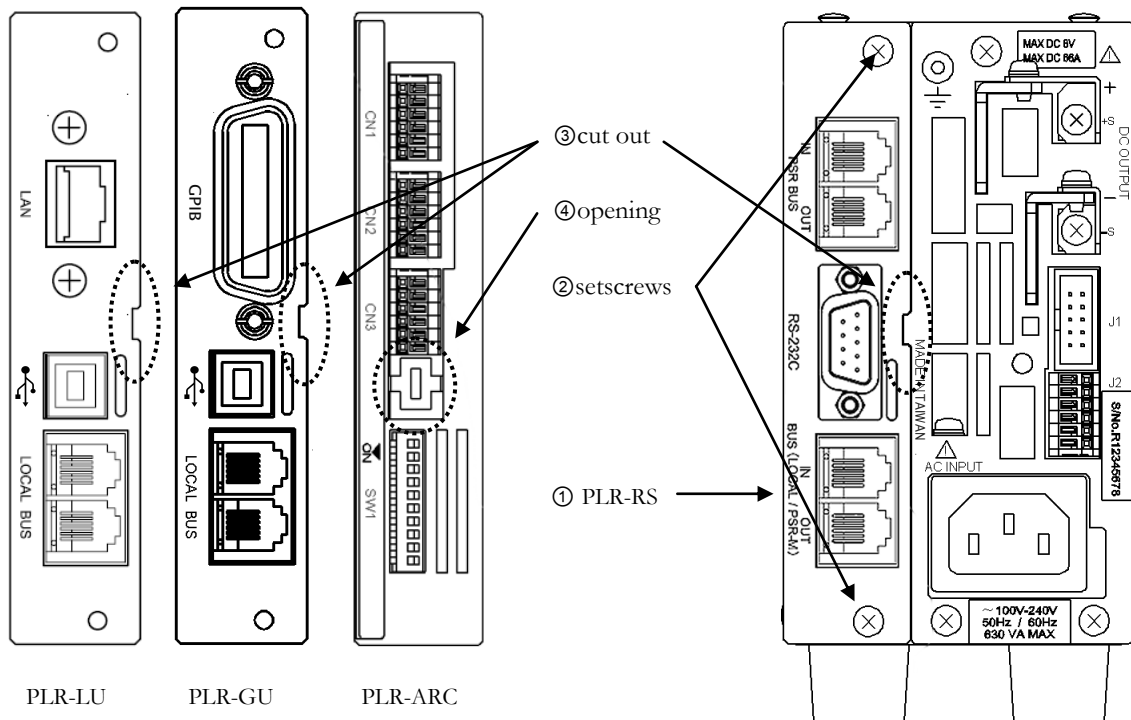
- Uninstall the PLR-RS unit.

The interface unit is plugged in the connector firmly. For the PLR-RS, PLR-GU or PLR-LU, lift the panel toward you to detach it by inserting a slotted screwdriver into the cut out (③) located in the middle on the right side of the panel.

- For the PLR-ARC, it can be uninstalled easily by inserting a slotted screwdriver into the opening (④) located between the CN3 and SW1 connectors.

NOTE: For PLR-RS, PLR-GU and PLR-LU, do not hold the top and bottom of the panel for removing it. This may result in warpage of the panel.

- For PLR-RS and PLR-GU, the interface unit can be uninstalled easily with a GP-IB or RS-232C connector mounted.



Installing the Interface Unit

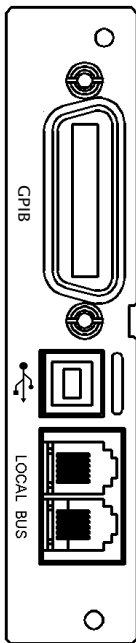
- Make sure that the PLR -ARC unit or PLR-GU / PLR-LU / PLR-RS series has not been mounted to the PLR power supply unit. Then, insert the interface unit into the slot in the correct direction.

NOTE: Do not put any objects into the power supply unit during installation of the interface unit. If some objects should enter it, remove them before turning on the power. Failure to do so may cause damage to the product or electric shock.

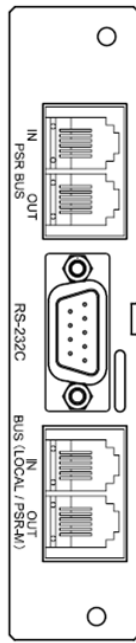
- If the interface unit is installed in an improper position, the screws cannot be positioned correctly.

NOTE: For PLR-RS, PLR-GU and PLR-LU, the unit is integrated with the panel; For PLR-ARC, the unit and the panel are separate.

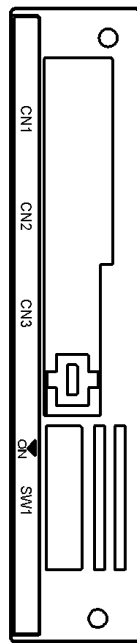
- Fix the interface unit with the screws removed from the panel.



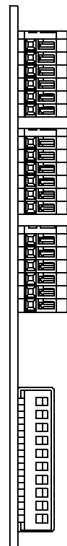
Installation direction for PLR-GU



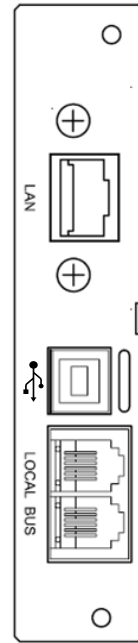
Installation direction for PLR-RS



Installation direction for the analog control unit panel



Installation direction for the analog control unit



Installation direction for PLR-LU