

Rack Adapter Panel

GRA-451



Assembly Manual

GW INSTEK PART NO. 82RA-45100MA1

This assembly manual contains proprietary information, which is protected by copyrights. All rights are reserved. No part of this manual may be photocopied, reproduced or translated to another language without prior written consent of Good Will company.

The information in this manual was correct at the time of printing. However, Good Will continues to improve products and reserves the rights to change specification, equipment, and maintenance procedures at any time without notice.

Good Will Instrument Co., Ltd.
No. 7-1, Jhongsing Rd., Tucheng Dist., New Taipei City 236, Taiwan.



ISO-9001 CERTIFIED MANUFACTURER

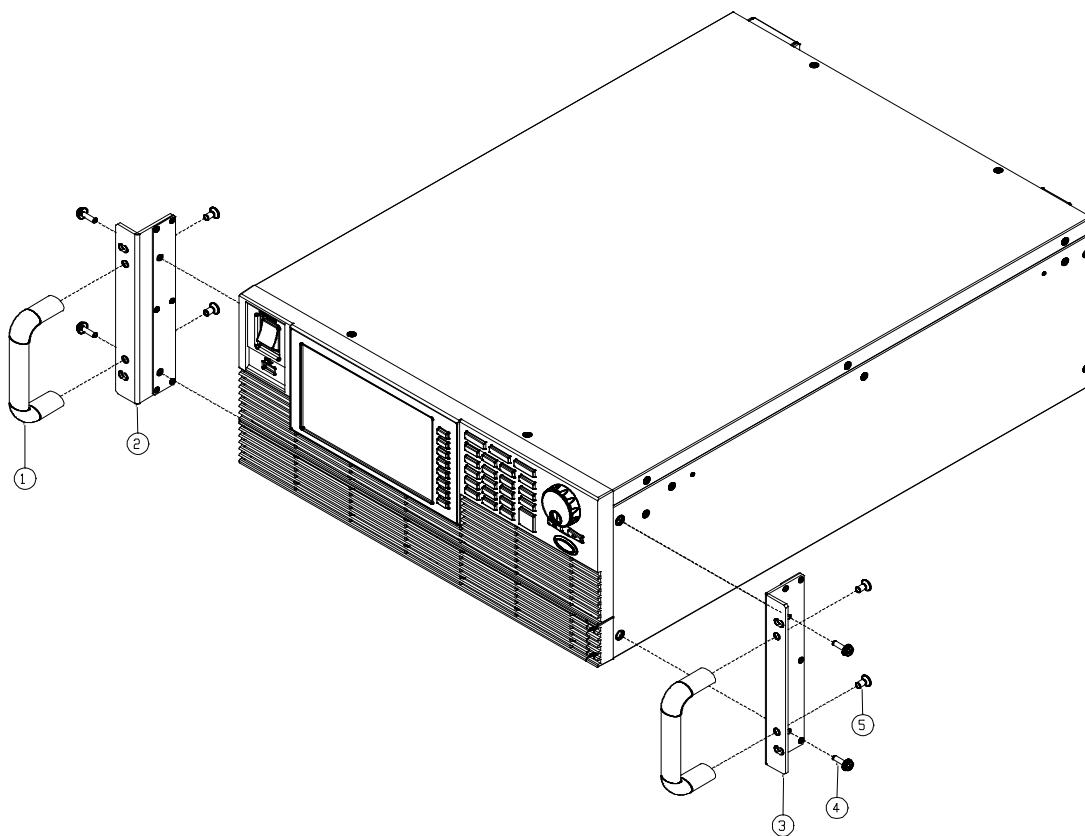
GW INSTEK

GRA-451

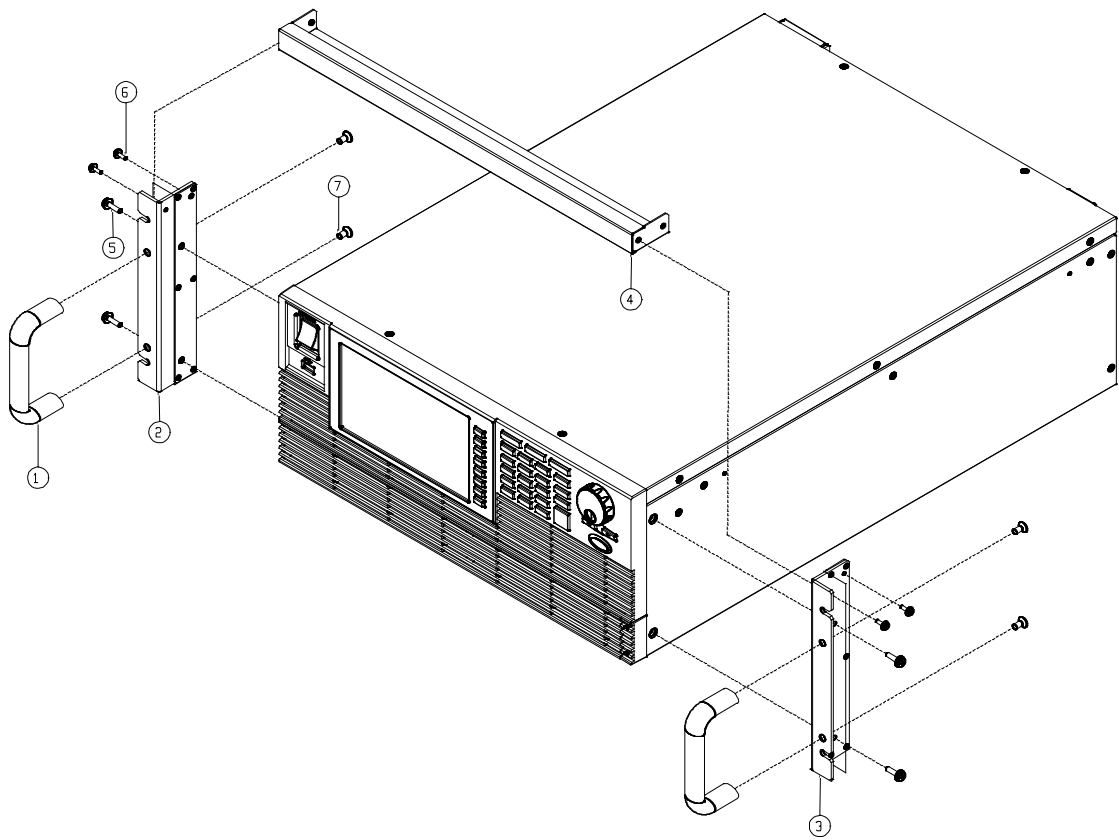
The GRA-451 rack mount is suited for the ASR-6000 AC/DC Power Supplies. The GRA-451 supports both the EIA and JIS standards for use with standard sized rack units.

Rack Mount Adapter Component List and Assembly

Description Please check to make sure all the components of the GRA-451 rack mount kit are provided. The JIS and EIA rack mounts have slightly different component sets.



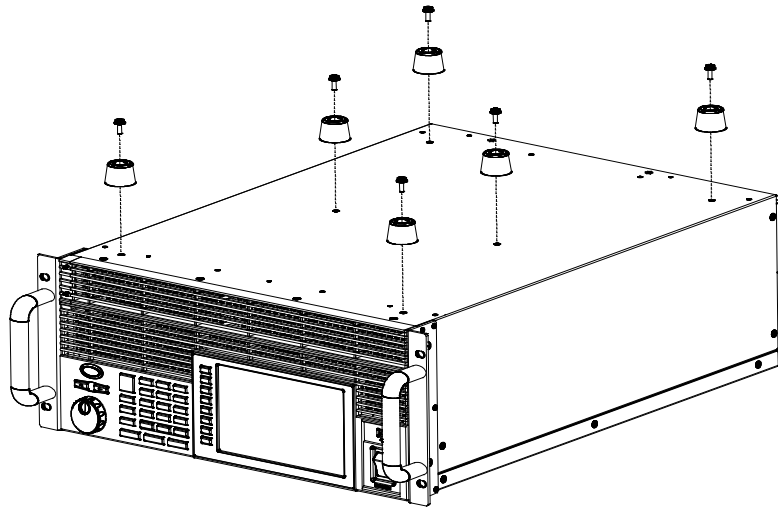
GRA-451-EIA Assembly	Item	Part NO.	Description	QTY
	1	62EL-200HD101	HANDLE	2
	2	62RA-451HP201	E RIGHT BRACKET	1
	3	62RA-451HP101	E LEFT BRACKET	1
	4	593B-06010NS1	FMS-6*10	4
	5	594B-W4012NS1	BMS-W-4*12	4



GRA-451-JIS Assembly	Item	Part NO.	Description	QTY
	1	62EL-200HD101	HANDLE	2
	2	62RA-451HP401	J RIGHT BRACKET	1
	3	62RA-451HP301	J LEFT BRACKET	1
	4	62RA-442HP501	J MIDDLE BRACKET	1
	5	594B-W4012NS1	BMS-W-4*12	4
	6	594B-W3008NS1	BMS-W-3*8	4
	7	593B-06010NS1	FMS-6*10	4

Assembly

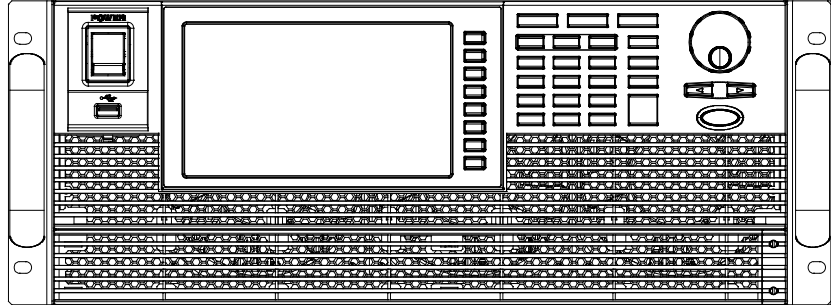
- Initial setup
1. Remove the parts described below from the underside of the power supply units.
 - Foot * 6
 - M4*10 screw * 6



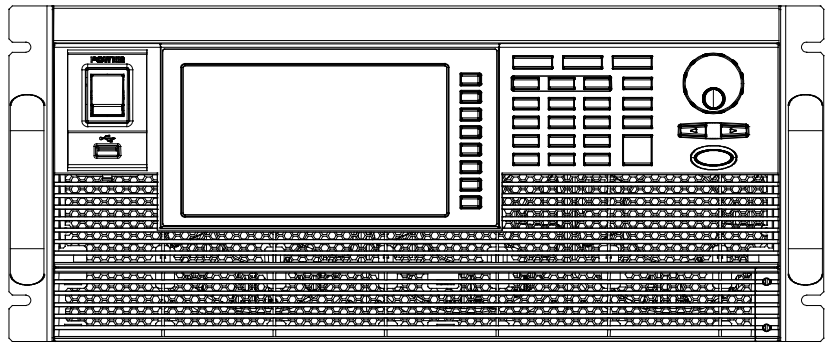
- Installation process
1. Attach the left and right brackets to both sides of power supply units.
 2. Fasten the left and right brackets with power supply units by fixing the four screws (BMS-W-4*12).
 3. Attach the middle bracket to the top of power supply units. (JIS model only)
 4. Fasten the left and right brackets with the middle bracket by fixing the four screws (BMS-W-3*8). (JIS model only)
 5. Attach the two handlers to the left and right brackets.
 6. Fasten the two handlers onto the left and right brackets by fixing the four screws (FMS 6*6).

Specification

Rack installation
Diagram (EIA)



Rack installation
Diagram (JIS)



It is suggested to utilize L-shape angle bars to provide support from the bottom of unit while assembling the rack mount.

