

**NEW**

## PEK-130

### FEATURES

- Provide Analysis, Design, Simulation and Implementation Verification for Power Electronics
- Allow Students With no DSP Firmware Programming Capability to Easily Complete Programming so as to Swiftly Proceed To Digital Control Domain
- Provide Comprehensive Trainings and After-sales Maintenance Services
- Provide a Complete Experiment Kit List
- Provide Circuit Diagram Files for Each Course Kit
- Provide DSP Hardware Planning, Setting and Program Burning Method
- Provide Detailed Principle and Design of Experiment Circuits

Power converter utilizing digital control is the development trend of the present industrial products. Digital control can elevate the function and performance of power converter to increase product's added value. More and more power converters are using the digital control technology. The objective of this course kit is to provide a learning platform for power converter using digital control. Users, via PSIM software and simulation, learn the principle, analysis and design of power converter. Furthermore, the SimCoder tool of PSIM can be used to convert control circuit to digital control program as well as to operate a second simulation for circuit, which will be replaced by DSP. Finally, control program, via simulation verification, can be burned into DSP chip. DSP, via control and communications, verifies the correctness of designed circuit and controller.

PEK-130 is the development module of full digital controlled three-phase inverter, aiming at the training of circuit analysis, design, simulation and experiment for researchers to conduct problem-oriented learning. The quantitative design of power circuit and controller is based upon converter's specifications. Users can further understand the related technology of three-phase inverter through PSIM simulation verification and SimCoder programming processes.

With the comprehensive capabilities of realizing simulation, design, hardware circuit, PSIM is a simulation software specifically designed for systems such as power electronics, motor driver and power conversion. PSIM features comprehensive functions, complete components, fast simulation, accurate simulation results and easy to use, and this software is often used by the international academics and industries for education and research.

### THE SPECIFICATIONS OF THREE-PHASE INVERTER DEVELOPMENT MODULE

PEK-130 Three Phase Inverter							
Description	Symbol	Min	Typ	Max	Units	Comment	
DC Input	Voltage	$V_{IN}$	90	100	110	V	
	Current	$I_{IN}$			3	A	
AC Output	Voltage	$V_{LL}$		50		V	
	Current	$I_{OUT}$	0		2.9	A	
	Power	$P_{OUT}$			250	W	
Dimensions (L × W × H)		285 (mm) × 170 (mm) × 110 (mm)					
Weight		Approx. 2.5kg					



## EXPERIMENTS

### Experiment 1: Three Phase SPWM Inverter

Experiment objective is to learn the principles of three-phase SPWM, SVPWM and zero sequence injection. Via PEK-130 module, students learn the voltage and current measurement method and the settings of TI F28335 DSP IC pin locations, PWM and A/D hardware as well as to understand how to conduct the control and measurement of DSP's internal signal by RS-232.

### Experiment 2: Three Phase Stand-alone Inverter

Experiment objective is to learn the module establishment of three-phase inverter and the design of voltage and current loop controllers. After designing hardware SimCoder is utilized to conduct programming.

### Experiment 3: Grid Connected Three Phase Inverter

Experiment objective is to understand the basic principle and structure of three-phase city grid paralleled with inverter; the design method of phase-locked loop of three-phase paralleled inverter, and the design of voltage and current loop controllers. After the designing city grid paralleled with inverter SimCoder is utilized to conduct programming.

### Experiment 4: Three Phase Active Power Filter

Experiment objective is to understand the compensation method for harmonic current and virtual power; the circuit calculation from compensated current; and the control method for current controller. SimCoder is utilized to conduct programming.

### Experiment 5: Single-phase Three-arm Rectifier-Inverter

Experiment objective is to understand the working mode of UPS and to learn the design of inverter's voltage loop and current loop as well as the design of rectifier's AC voltage control loop. SimCoder is utilized to conduct programming.

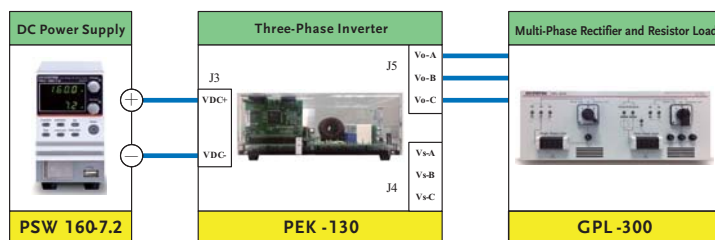


Fig1

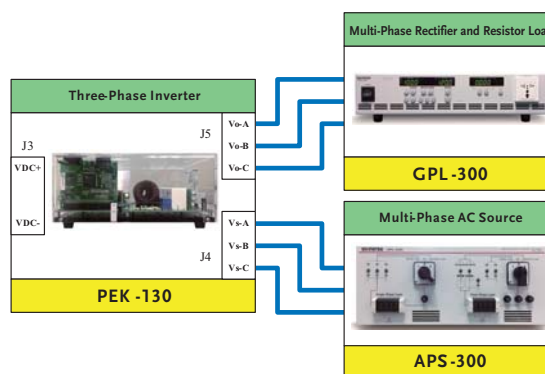


Fig3

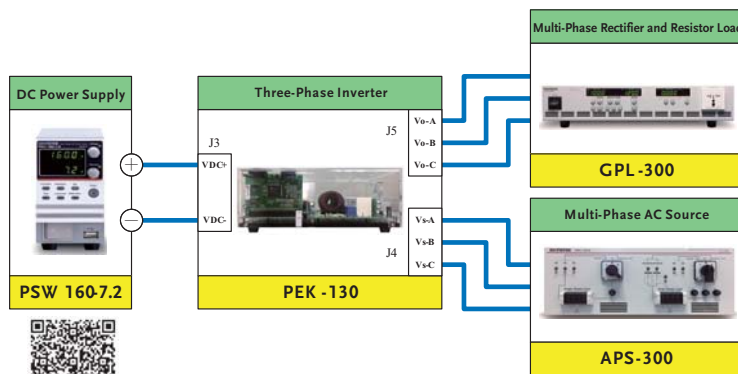


Fig2

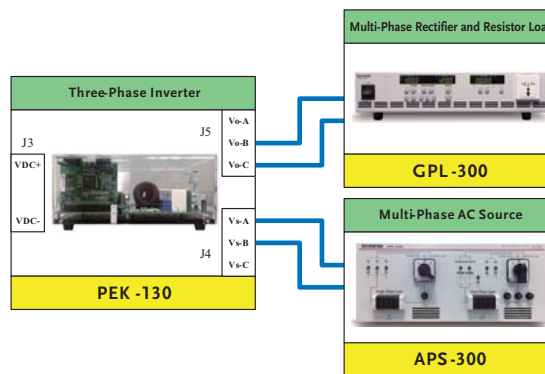


Fig4

## ORDERING INFORMATION

**PEK-130 Three-Phase Inverter Developer's Kit**

## STANDARD ACCESSORIES

CD ROM (including PSIM example files and user manual), terminal, RS-232 communications cable

## OPTIONAL ACCESSORIES

**PEK-003** TMS320F28335 experiment board that isolates RS-232 interface

**PEK-005(A)** Multi-output auxiliary power supply

**PEK-006** Isolated JTAG emulated adapter

\* The required accessories for digital control module: PEK-005(A)x1 and PEK-006x1

Global Headquarters

**GOOD WILL INSTRUMENT CO., LTD.**

No.7-1, Jhongsing Road, Tucheng Dist., New Taipei City 236, Taiwan

T +886-2-2268-0389 F +886-2-2268-0639

E-mail: marketing@goodwill.com.tw

China Subsidiary

**GOOD WILL INSTRUMENT (SUZHOU) CO., LTD.**

No. 521, Zhujiang Road, Snd, Suzhou Jiangsu 215011 China

T +86-512-6661-7177 F +86-512-6661-7277

E-mail: marketing@instek.com.cn

Malaysia Subsidiary

**GOOD WILL INSTRUMENT (SEA) SDN. BHD.**

No. 1-3-18, Elit Avenue, Jalan Mayang Pasir 3,

11950 Bayan Baru, Penang, Malaysia

T +604-6111122 F +604-6115225

E-mail: sales@goodwill.com.my

Europe Subsidiary

**GOOD WILL INSTRUMENT EURO B.V.**

De Run 5427A, 5504DC Veldhoven, THE NETHERLANDS

T +31 (0)40-2557790 F +31 (0)40-2541194

U.S.A. Subsidiary

**INSTEK AMERICA CORP.**

5198 Brooks Street Montclair, CA 91763, U.S.A.

T +1-909-399-3535 F +1-909-399-0819

E-mail: sales@instekamerica.com

Japan Subsidiary

**TEXIO TECHNOLOGY CORPORATION.**

7F Towa Fudosan Shin Yokohama Bldg., 2-18-13 Shin

Yokohama, Kohoku-ku, Yokohama, Kanagawa,

222-0033 Japan

T +81-45-620-2305 F +81-45-534-7181

E-mail: info@texio.co.jp

Korea Subsidiary

**GOOD WILL INSTRUMENT KOREA CO., LTD.**

Room No.503, Gyeonginro 775 (Mullae-Dong 3Ga,

Ace Hightech-City B/D 1Dong), Yeongduengpo-Gu,

Seoul 150093, Korea.

T +82-2-3439-2205 F +82-2-3439-2207

E-mail: gwinstek@gwinstek.co.kr

**GW INSTEK**

Simply Reliable



www.gwinstek.com

www.facebook.com/GWInstek