

Rack Adapter Panel

GRA-422

GW INSTEK

Assembly Manual

GW INSTEK PART NO. 82RA-42200M01

This assembly manual contains proprietary information, which is protected by copyrights. All rights are reserved. No part of this manual may be photocopied, reproduced or translated to another language without prior written consent of Good Will company.

The information in this manual was correct at the time of printing. However, Good Will continues to improve products and reserves the rights to change specification, equipment, and maintenance procedures at any time without notice.

Good Will Instrument Co., Ltd.
No. 7-1, Jhongsing Rd., Tucheng Dist., New Taipei City 236, Taiwan.



ISO-9001 CERTIFIED MANUFACTURER

GW INSTEK

GRA-422

The GRA-422 rack mount is suited for various meters, which include GDM-906X Series, GDM-8261A/8255A/8351/834X Series, LCR-6000 Series, GBM-Series and GPM-8310/8213. The GRA-422 can accommodate a 2U-sized rack. Only one meter unit can be used with the GRA-422 rack adapter.

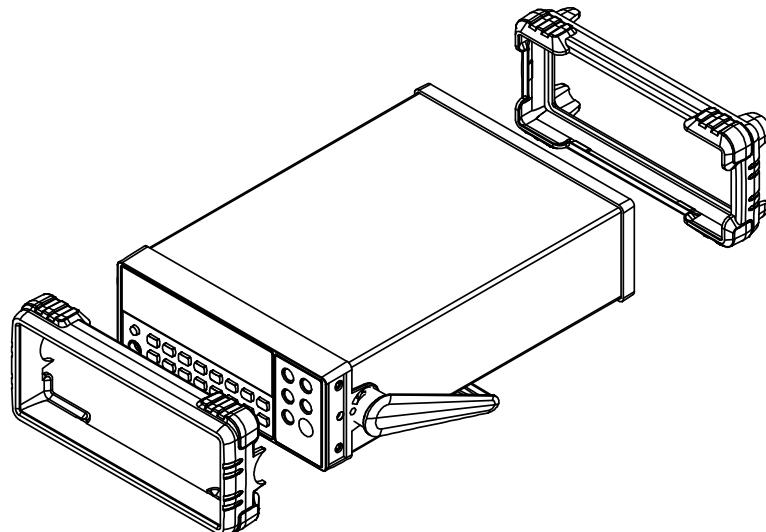
Rack Mount Adapter Component List

Description Please check to make sure all the components of the GRA-422 rack mount kit are provided.

Item	Part NO.	Description	QTY
1	62RA-422HP101	PANELS	2
2	BMS M4x10	M4 SIZED SCREWS	4

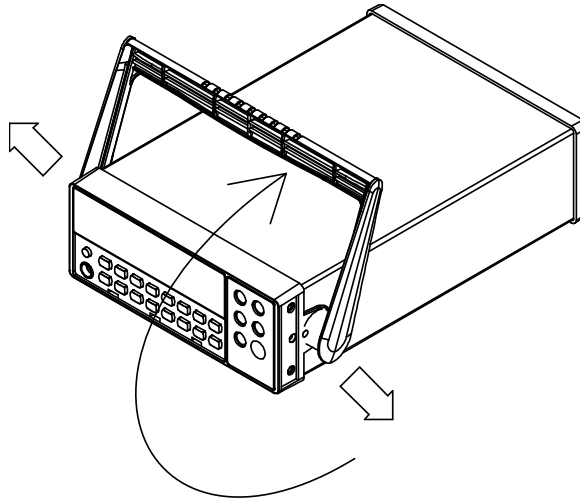
Assembly

Initial setup 1. Remove the protective rubber casing from the front and rear panels.

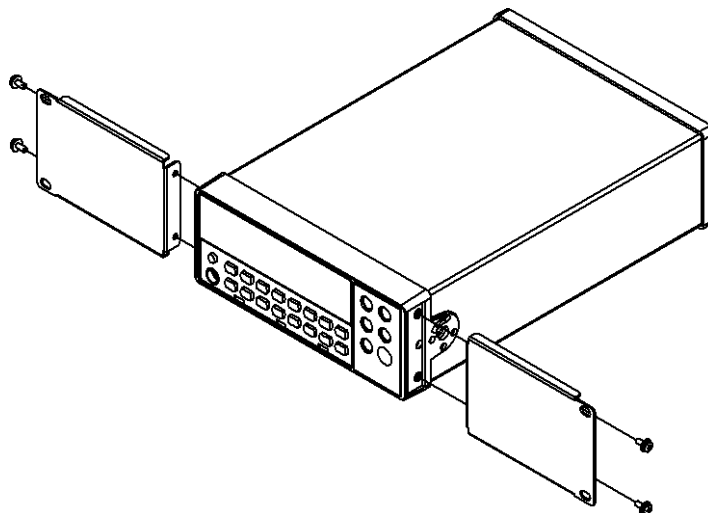


2. Remove the handle:

Pull both bases of the handle outwards slightly.
Bring the handle to its upmost position.
Pull both bases of the handle outwards and remove the handle completely.



3. Screw the panels to the DMM using the supplied M4 screws.



Specification

Rack Dimensions

