

# Rack Adapter Panel

GRA-439



## Assembly Manual

GW INSTEK PART NO. 82RA-43900MA1

This assembly manual contains proprietary information, which is protected by copyrights. All rights are reserved. No part of this manual may be photocopied, reproduced or translated to another language without prior written consent of Good Will company.

The information in this manual was correct at the time of printing. However, Good Will continues to improve products and reserves the rights to change specification, equipment, and maintenance procedures at any time without notice.

Good Will Instrument Co., Ltd.  
No. 7-1, Jhongsing Rd., Tucheng Dist., New Taipei City 236, Taiwan.



ISO-9001 CERTIFIED MANUFACTURER

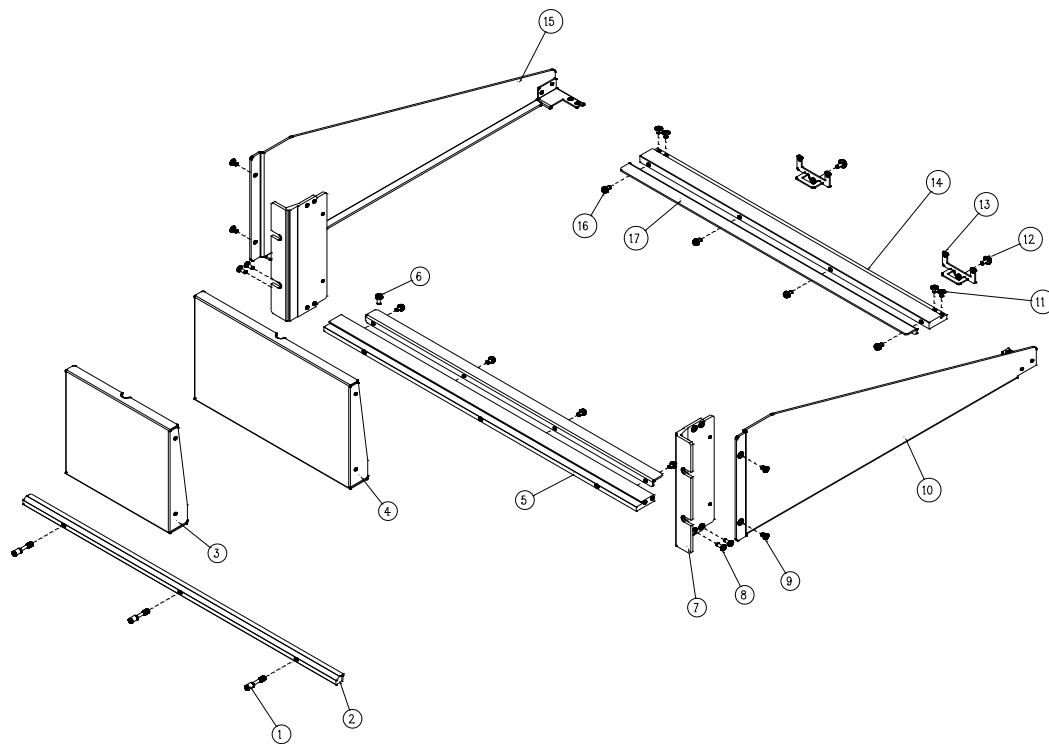
**GW INSTEK**

# GRA-439

The GRA-439 rack mount is suited for the ASR-2000(R) AC/DC Power Supplies. The GRA-439 supports both the EIA (GRA-439-E) and JIS (GRA-439-J) standards for use with standard sized rack units.

## Rack Mount Adapter Component List and Assembly

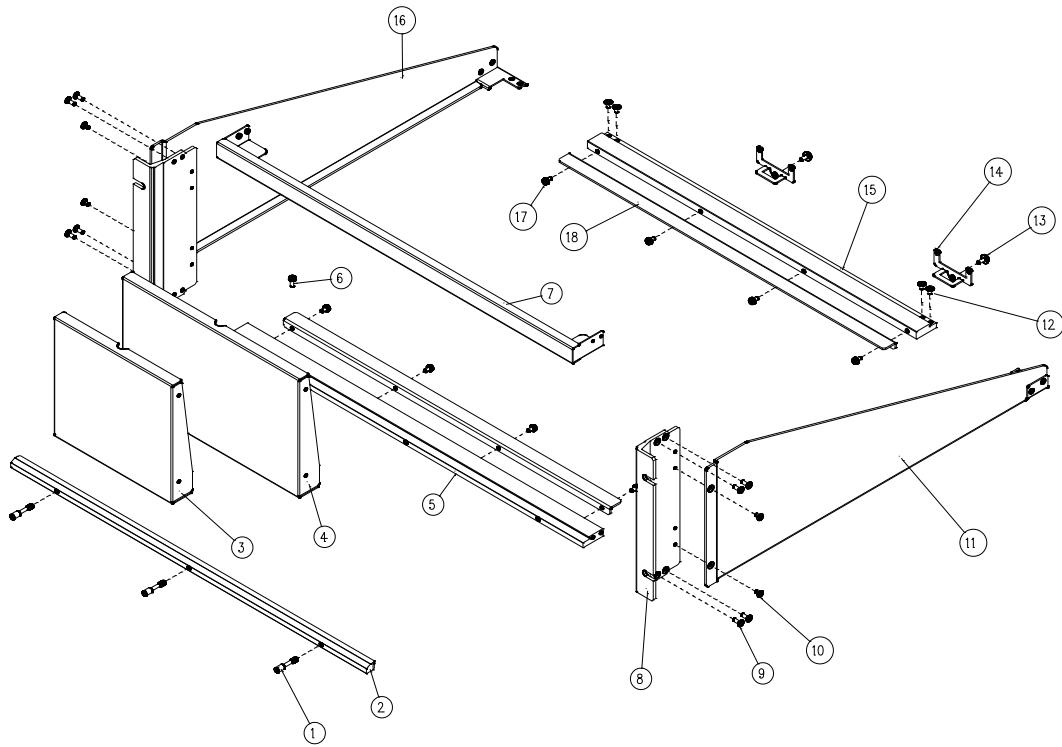
**Description** Please check to make sure all the components of the GRA-439 rack mount kit are provided. The JIS and EIA rack mounts have slightly different component sets.



**GRA-439-E  
Assembly**

Item	Part NO.	Description	QTY
1	59CA-04017NS1	SCREW ROTATION , - ,M4*17*0.7P ,L=25 3 ISO N RoHS	
2	62RA-410HP2A1	CA GRA-410 FRONT BRACKET ,RoHS	1
3	62RA-410HP701	CA GRA-410 BLANK PANEL (2) ,RoHS	1
4	62RA-410HP801	CA GRA-410 BLANK PANEL (3) ,RoHS	1

5	62RA-410HP1A1	CA GRA-410 MIDDLE BARCKET ,RoHS	1
6	592B-W3008NS1	SCREW PMS ,+ ,M3*8 ISO ,N (WASHER P.S) ,RoHS	1
7	62RA-410HPAA1	CA GRA-410-E 3U BRACKET ,RoHS	2
8	593B-03008NS1	SCREW FMS ,3*8*0.5m/m ,ISO ,N ,RoHS	4
9	593B-03005NS1	SCREW FMS ,+ ,3*5 ,ISO ,N ,RoHS	4
10	62RA-439HP201	CA GRA-439 RIGHT BRACKET ,RoHS	1
11	599B-03006NS1	SCREW IMS ,+ ,3*6 ,ISO ,N ,RoHS	4
12	594B-W3008NS1	SCREW BMS ,+ ,3*8*0.5P ,ISO ,N (WASHER P.S) ,RoHS	2
13	62RA-410HP9A1	CA GRA-410 RACK HP ,RoHS	2
14	62RA-410HP3B1	CA GRA-410 REAR BRACKET ,RoHS	1
15	62RA-439HP101	CA GRA-439 LEFT BRACKET ,RoHS	1
16	592B-W3006NS1	SCREW PMS ,+ ,3*6*0.5P ,ISO ,N (WASHER P.S) ,RoHS	8
17	62RA-441HP301	CA GRA-441 HOLDER ,RoHS	2



**GRA-439-J  
Assembly**

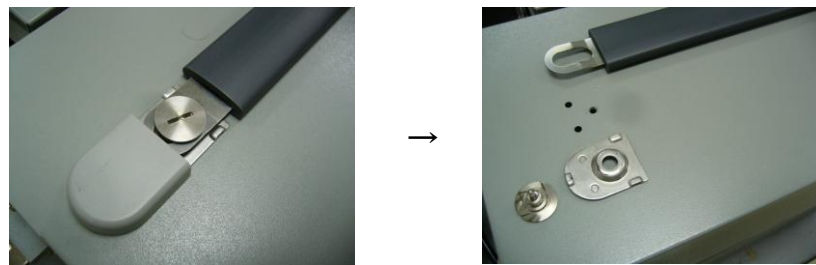
Item	Part NO.	Description	QTY
1	59CA-04017NS1	SCREW ROTATION , - ,M4*17*0.7P ,L=25 ISO N RoHS	3
2	62RA-410HP2A1	CA GRA-410 FRONT BRACKET ,RoHS	1
3	62RA-410HP701	CA GRA-410 BLANK PANEL (2) ,RoHS	1
4	62RA-410HP801	CA GRA-410 BLANK PANEL (3) ,RoHS	1
5	62RA-410HP1A1	CA GRA-410 MIDDLE BARCKET ,RoHS	1
6	592B-W3008NS1	SCREW PMS ,+ ,M3*8 ISO ,N (WASHER P.S) ,RoHS	1
7	62RA-410HPC01	CA GRA-410-J TOP BRACKET ,RoHS	1
8	62RA-410HPBA1	CA GRA-410-J 3U BRACKET ,RoHS	2
9	593B-03008NS1	SCREW FMS ,3*8*0.5m/m ,ISO ,N ,RoHS	8

10	593B-03005NS1	SCREW FMS ,+ ,3*5 ,ISO ,N ,RoHS	4
11	62RA-439HP201	CA GRA-439 RIGHT BRACKET ,RoHS	1
12	599B-03006NS1	SCREW IMS ,+ ,3*6 ,ISO ,N ,RoHS	4
13	594B-W3008NS1	SCREW BMS ,+ ,3*8*0.5P ,ISO ,N (WASHER P.S) ,RoHS	2
14	62RA-410HP9A1	CA GRA-410 RACK HP ,RoHS	2
15	62RA-410HP3B1	CA GRA-410 REAR BRACKET ,RoHS	1
16	62RA-439HP101	CA GRA-439 LEFT BRACKET ,RoHS	1
17	592B-W3006NS1	SCREW PMS ,+ ,3*6*0.5P ,ISO ,N (WASHER P.S) ,RoHS	8
18	62RA-441HP301	CA GRA-441 HOLDER ,RoHS	2

# Assembly

## Initial setup

1. Remove the handle from the power supply units.
  - Remove the handle cover.
  - Remove the screws securing the handle to the case.
  - Remove the handle.

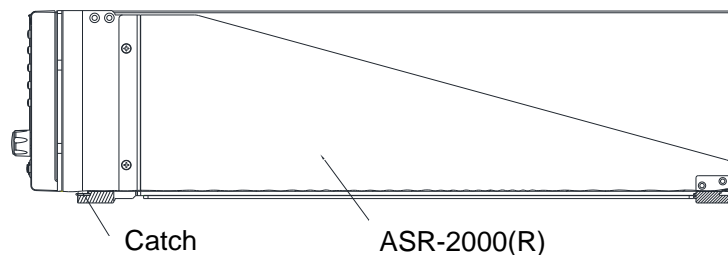


2. Remove the feet from the underside of the power supply units.

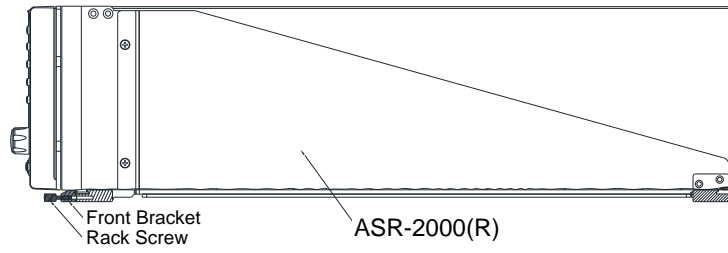


## Instrument insertion

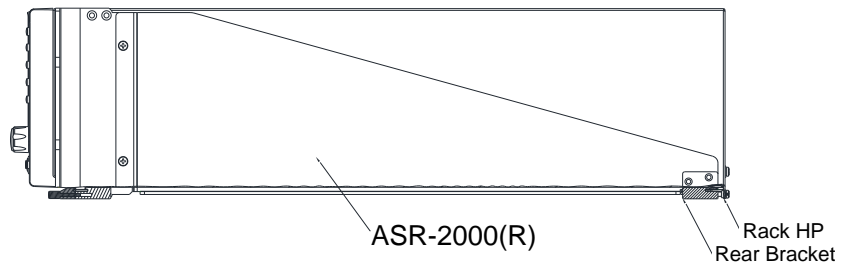
1. Insert ASR-2000(R) into the GRA-439 rack mount horizontally and ensure the catch links up with the groove.



2. Attach the Front Bracket to the Middle Bracket with fastening the rack screws.

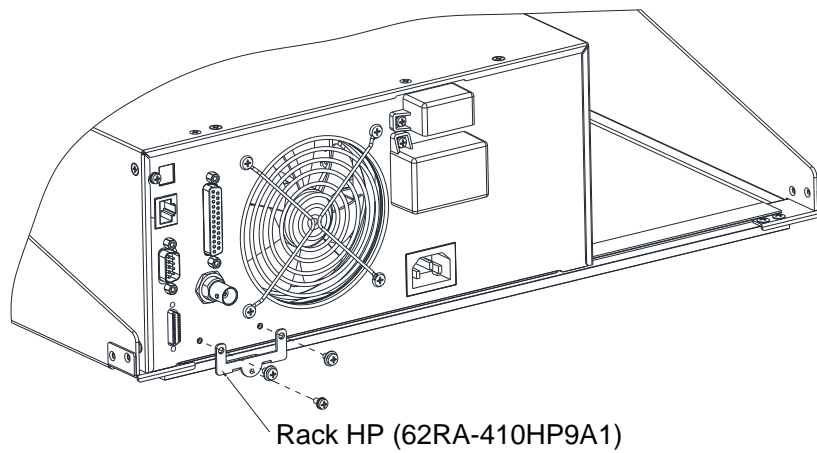


3. Secure the Rack Holding Plates (Rack HP) to the groove on the Rear Bracket and to the ASR-2000(R).



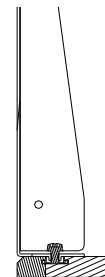
Rear panel illustration

Ensure the Rack HP is fixed on the rear panel with rack screws as shown below.

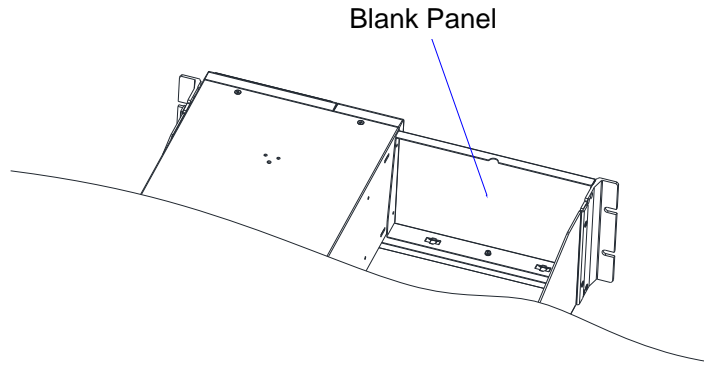


Blank panel insertion

1. Insert the blank panel into the groove of the Front and Middle Brackets.



- Secure the panel with the PMS-W-3\*8 screws.

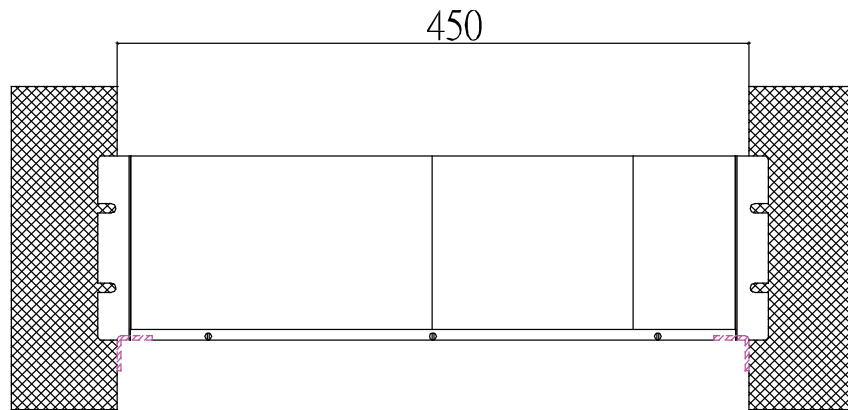


# Specification

Load Capacity    Max 20kg

Rack Weight        GRA-439-E: 1.0kg  
                           GRA-439-J: 1.2kg

Rack installation  
 Diagram



Please note the minimum width that is needed to be supported on the L-brackets.

