

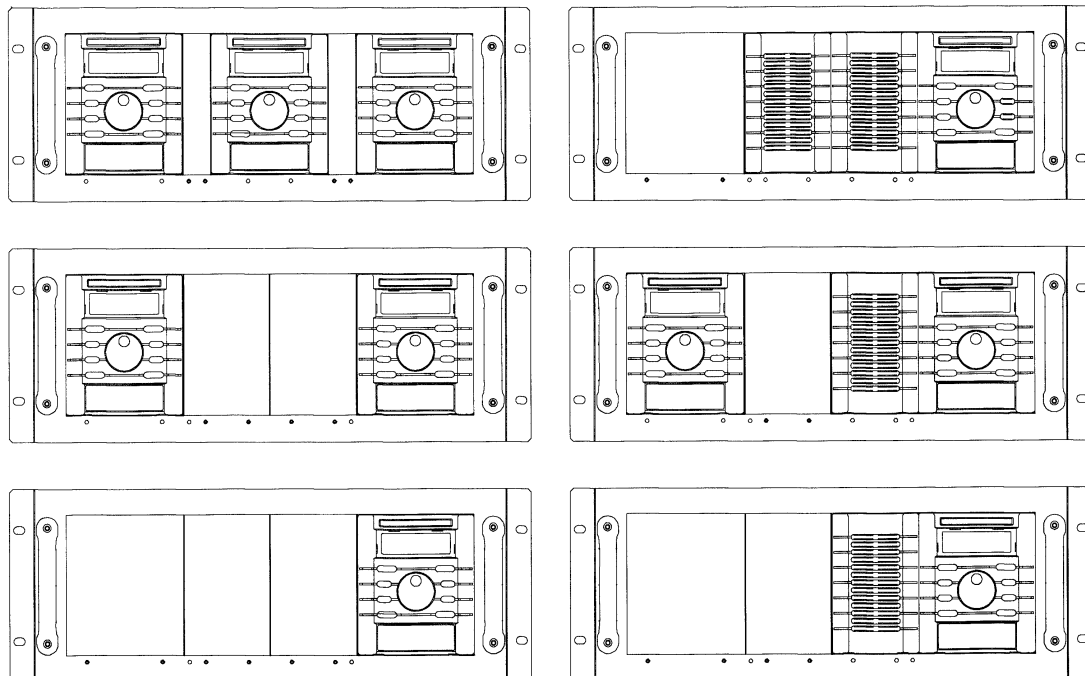
GRA-403

Assembly Guide

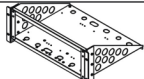
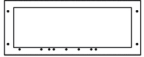



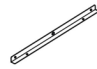



82RA-40300M0

RACK-MOUNTING

To meet the demand of the Auto-test or Aging-test operation, the power supply can be mounted in a standard 19-inches rack cabinet using one of our GRA-403 optional kits available for selection. The drawing is shown as below:



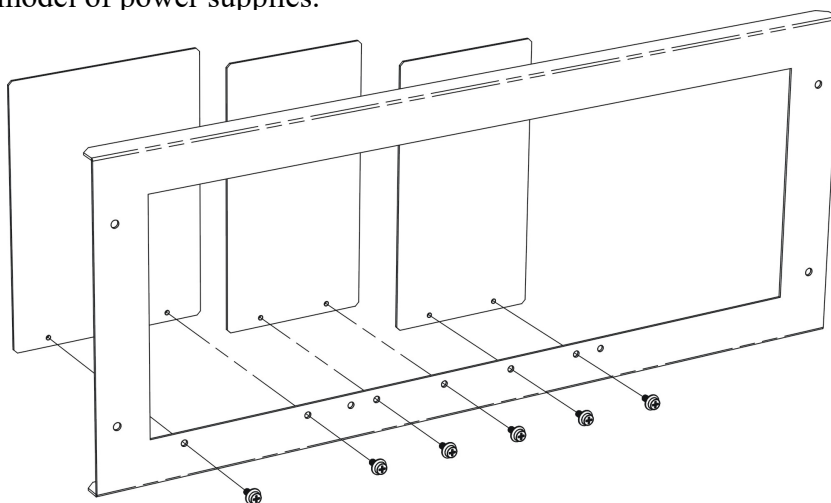
COMPONENT LIST OF RACK-MOUNTING:

NO.	Item	Drawing	Qty
①	Main Bracket		1
②	Front Panel		1
③	Large Decoration Board		1
④	Medium Decoration Board		2
⑤	Small Decoration Board		2
⑥	Binding plate		6
⑦	Handle		2
⑧	Screw M4*0.7 L=10mm		4
⑨	Screw M3*0.5 L=8mm		18

THE ASSEMBLED STEPS OF RACK-MOUNTING:

Step 1:

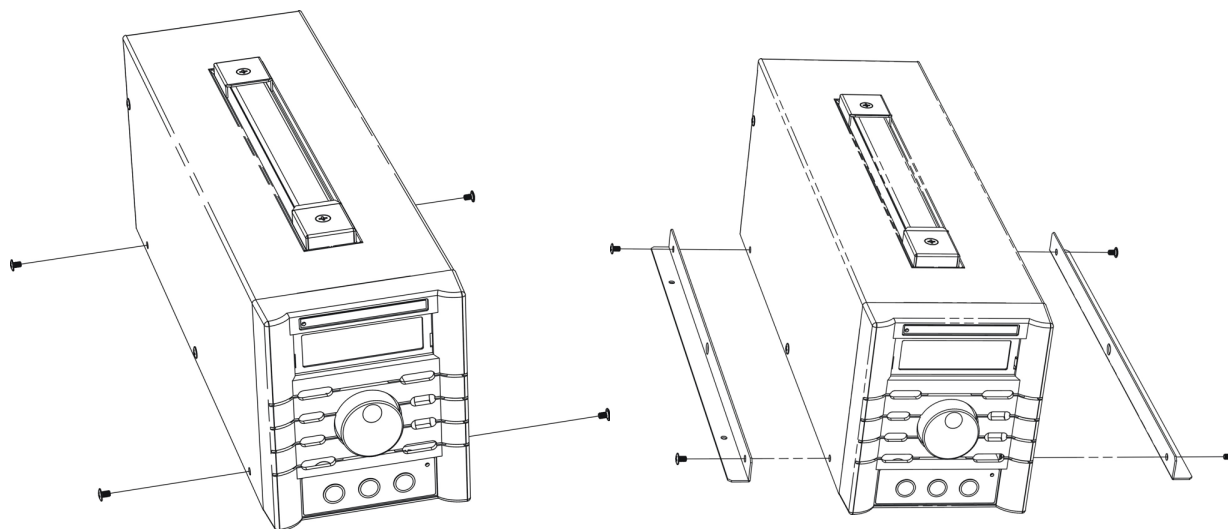
Lock up the front panel with the adequate decoration board (3), (4) or (5) according to different model of power supplies.



Step 2:

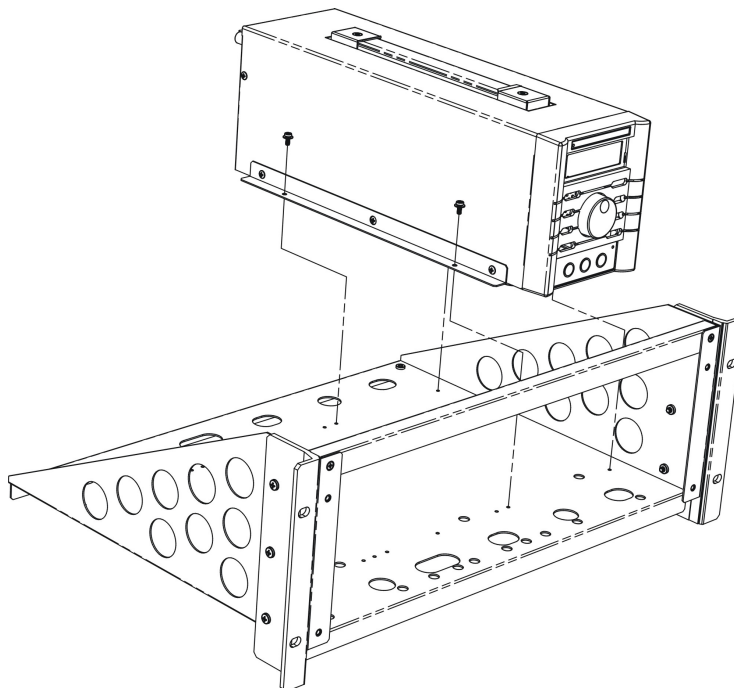
Remove the front and back M3 screws from both sides of power supplies.

Fix the binding plate (6) to the both sides of power supply by using the previous removed M3 screws.



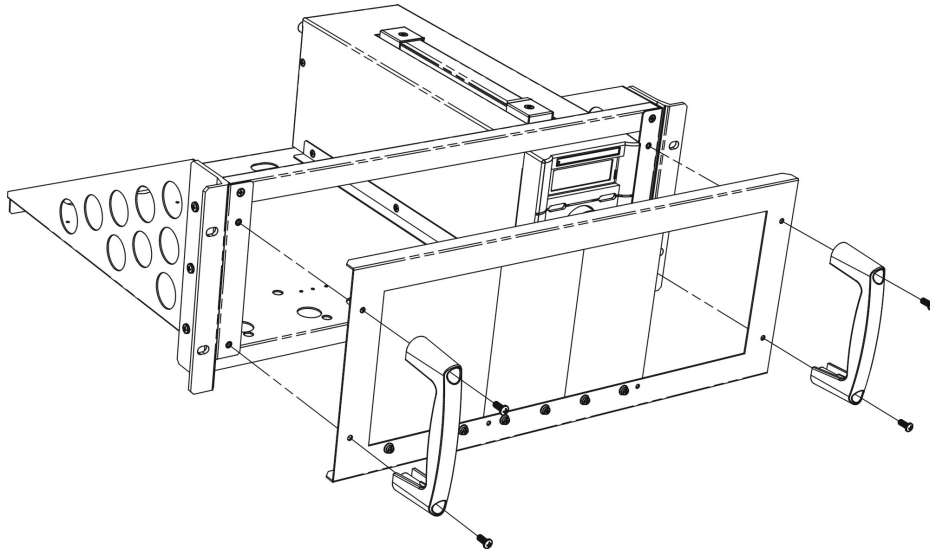
Step 3:

Put the assembled power supply to the main bracket (1) according to the alignment of rack cabinet, then fix it to the main bracket with (9) screws described on the component list.



Step 4:

Across the handle with screw (8) described in the component list to fix the assembled front panel (Step 1) to the main bracket.



ISO-9001 CERTIFIED MANUFACTURER

GOOD WILL INSTRUMENT CO., LTD.

No. 7-1, Jhongsing Rd., Tucheng City, Taipei County 236, Taiwan

Tel: 886-2-22680389

Fax: 886-2-22681900

GOOD WILL INSTRUMENT (SUZHOU) CO., LTD.

#69 Lushan Road, Suzhou New District Jiangsu, China.

Tel: 286-512-66617177

Fax: 286-512-66617277