

# Rack Adapter Panel

GRA-418

# GW INSTEK

## Assembly Manual

GW INSTEK PART NO. 82RA-41800M01

This assembly manual contains proprietary information, which is protected by copyrights. All rights are reserved. No part of this manual may be photocopied, reproduced or translated to another language without prior written consent of Good Will company.

The information in this manual was correct at the time of printing. However, Good Will continues to improve products and reserves the rights to change specification, equipment, and maintenance procedures at any time without notice.

Good Will Instrument Co., Ltd.  
No. 7-1, Jhongsing Rd., Tucheng Dist., New Taipei City 236, Taiwan.



ISO-9001 CERTIFIED MANUFACTURER

**GW INSTEK**

# GRA-418

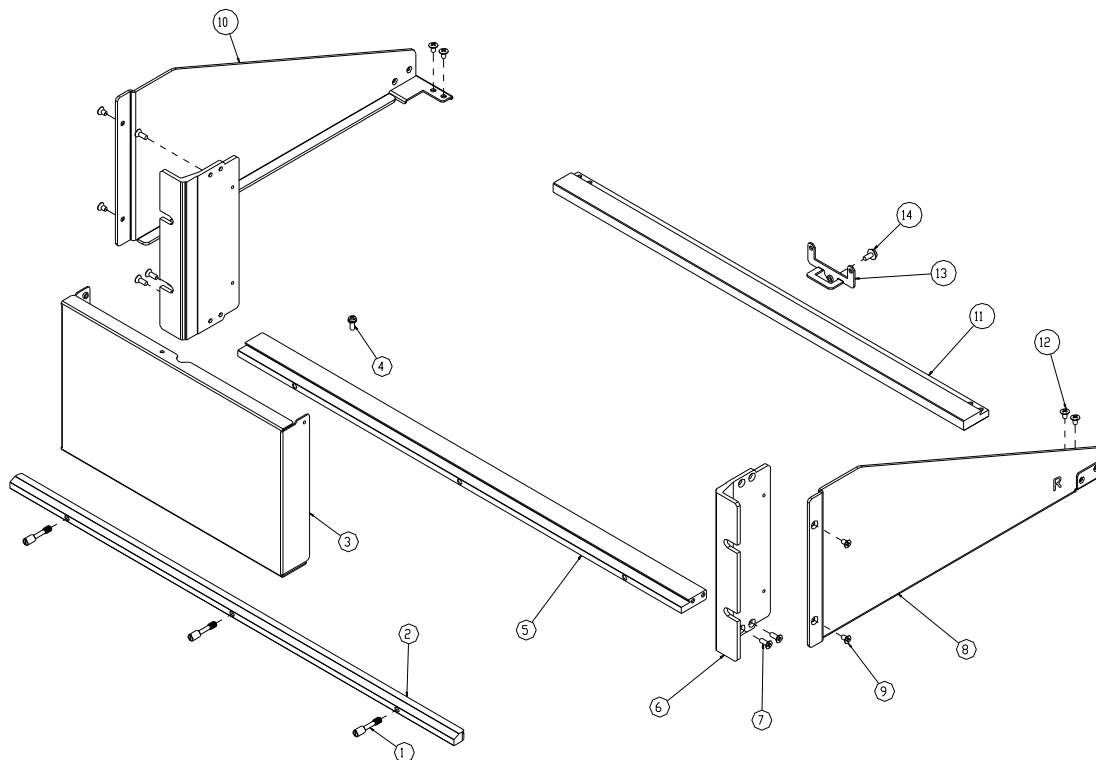
The GRA-418 rack mount is suited for the PSB-1000 Series DC multi-range power supplies. The GRA-418 supports both the EIA (GRA-418-E) and JIS (GRA-418-J) standards for use with standard sized rack units. Incorporating a strong frame and robust design, the GRA-418 can fit between 1 ~ 2 PSB-1000 units.

## Rack Mount Adapter Component List and Assembly

---

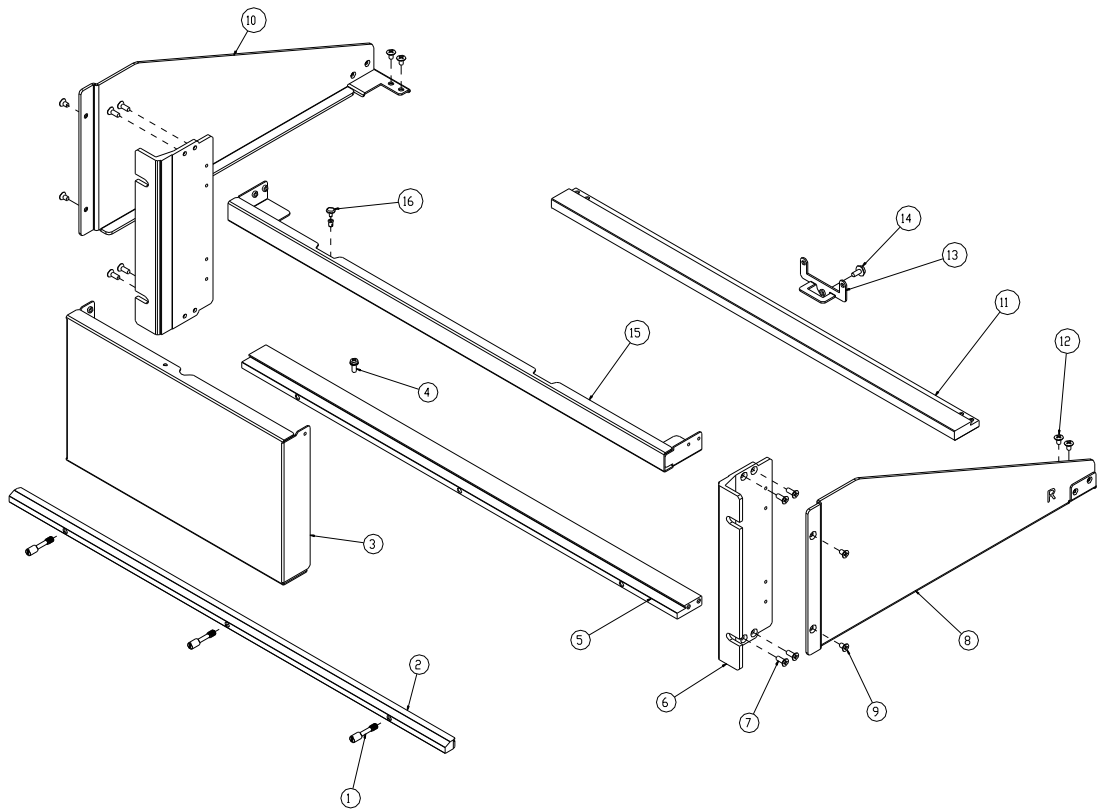
Description	Please check to make sure all the components of the GRA-418 rack mount kit are provided. The JIS and EIA rack mounts have slightly different component sets.
-------------	--

---



GRA-418-E (EIA)

GRA-418-E Assembly	Item	Part NO.	Description	QTY
	1	59CA-04017NS1	RACK SCREW	3
	2	62RA-410HP201	FRONT BRACKET	1
	3	62RA-414HP201	BLANK PANEL	1
	4	592B-W3008NS1	PMS-W-3*8	1
	5	62RA-410HP101	MIDDLE BRACKET	1
	6	62RA-410HPAA1	EIA BRACKET 3U	2
	7	593B-03008NS1	FMS 3*8	5
	8	62RA-410HP5B1	RIGHT BRACKET	1
	9	593B-03005NS1	FMS 3*5	4
	10	62RA-410HP4A1	LEFT BRACKET	1
	11	62RA-410HP3A1	REAR BRACKET	1
	12	599B-03006NS1	IMS 3*6	4
	13	62RA-410HP9A1	RACK HP	2
	14	594B-W3008NS1	BMS-W3*8	2



GRA-418-J (JIA)

GRA-418-J Assembly	Item	Part NO.	Description	QTY
	1	59CA-04017NS1	RACK SCREW	3
	2	62RA-410HP201	FRONT BRACKET	1
	3	62RA-414HP201	BLANK PANEL	1
	4	592B-W3008NS1	PMS-W-3*8	1
	5	62RA-410HP101	MIDDLE BRACKET	1
	6	62RA-410HPBA1	JIA BRACKET 3U	2
	7	593B-03008NS1	FMS 3*8	9
	8	62RA-410HP5B1	RIGHT BRACKET	1

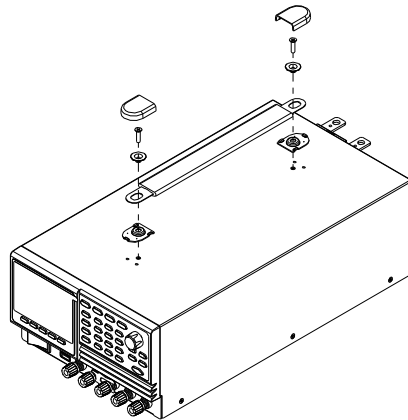
9	593B-03005NS1	FMS 3*5	4
10	62RA-410HP4A1	LEFT BRACKET	1
11	62RA-410HP3A1	REAR BRACKET	1
12	599B-03006NS1	IMS 3*6	4
13	62RA-410HP9A1	RACK HP	2
14	594B-W3008NS1	BMS-W3*8	2
15	62RA-414HP301	TOP BRACKET	1
16	5320-00403001	Pin(SR-3S)	1

# Assembly

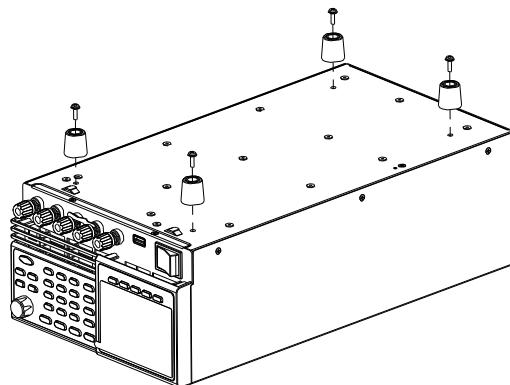
## Initial setup

1. Remove the handle (from) the unit.

- Remove the handle cover.
- Remove the screws securing the handle to the case.
- Remove the handle.

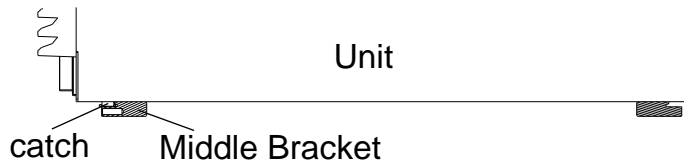


2. Remove the feet from the underside of the unit.

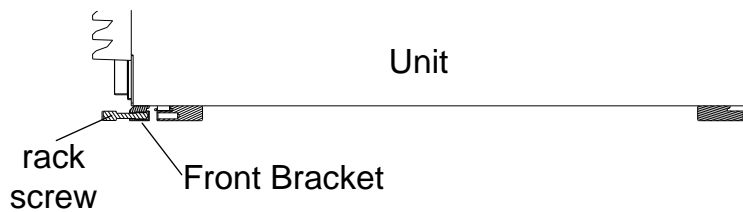


**Instrument insertion**

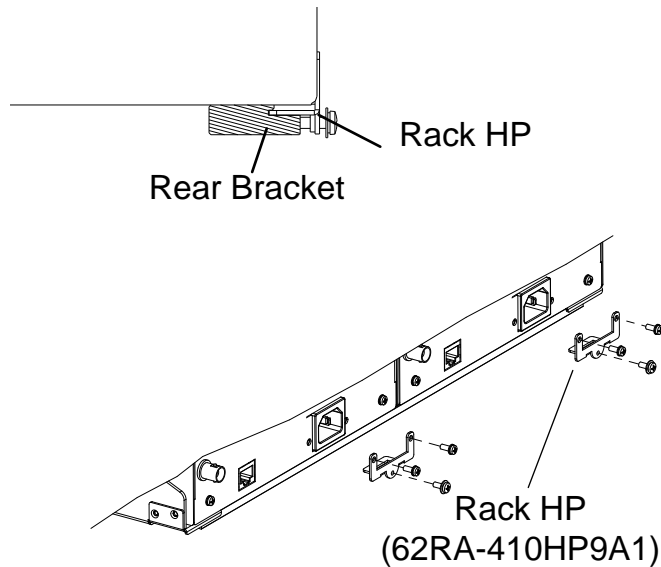
1. Ensure the Middle Bracket is latched onto the catch on the underside of the unit.



2. Attach the Front Bracket to the Middle Bracket with the rack screws.

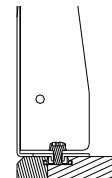


3. Secure the Rack Holding Plates (Rack HP) to the groove on the Rear Bracket and to the instrument(s).



**Blank panel insertion**

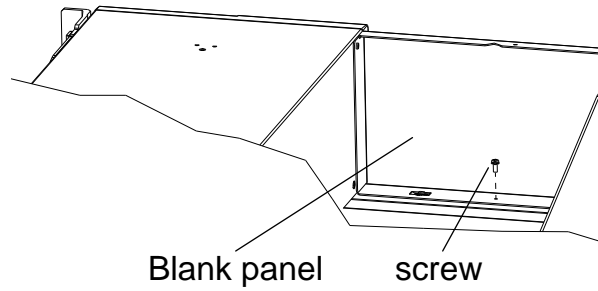
1. If only one unit is going to be used with the rack mount kit, then a blank panel can be inserted into the groove between the Front and Middle Brackets.



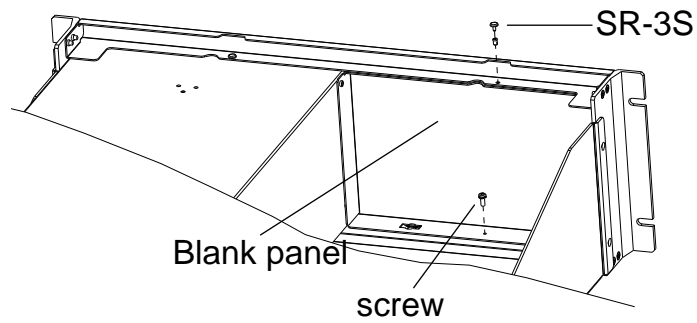
- Secure the panels with the PMS-W-3\*8 screw.

On the JIS model, use the SR-3S pin to hold the plate to the top bracket.

EIA:

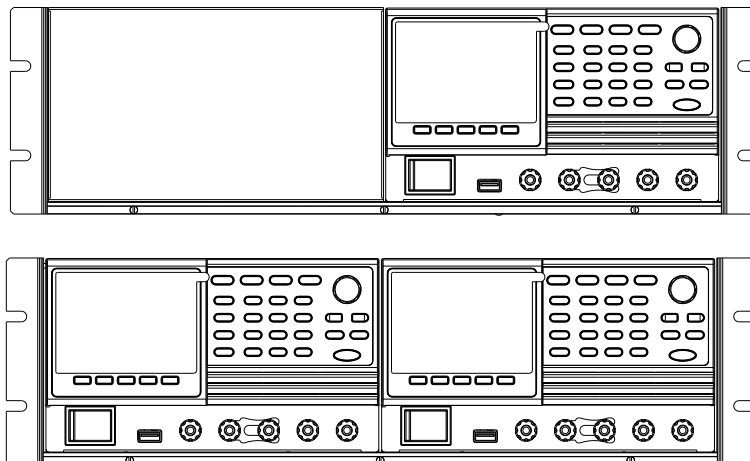


JIS:

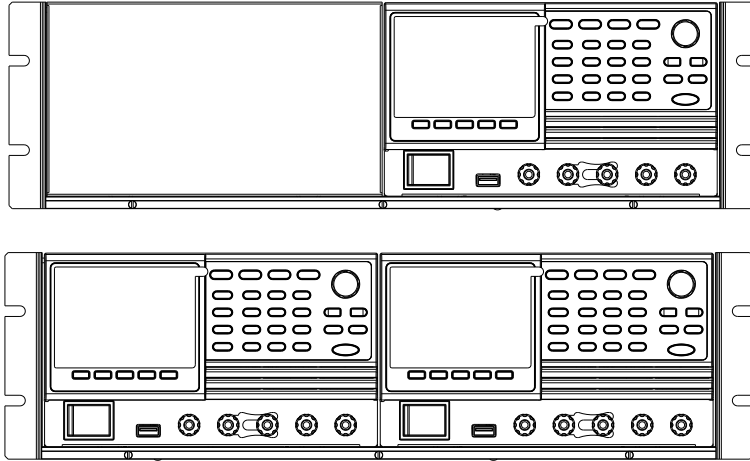


## Appearance

GRA-418-E



GRA-418-J



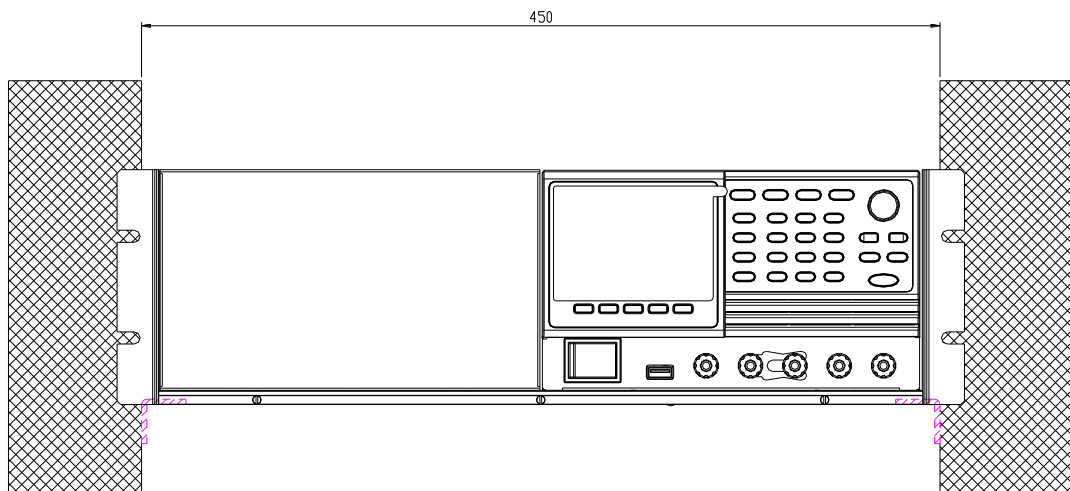
## Specification

---

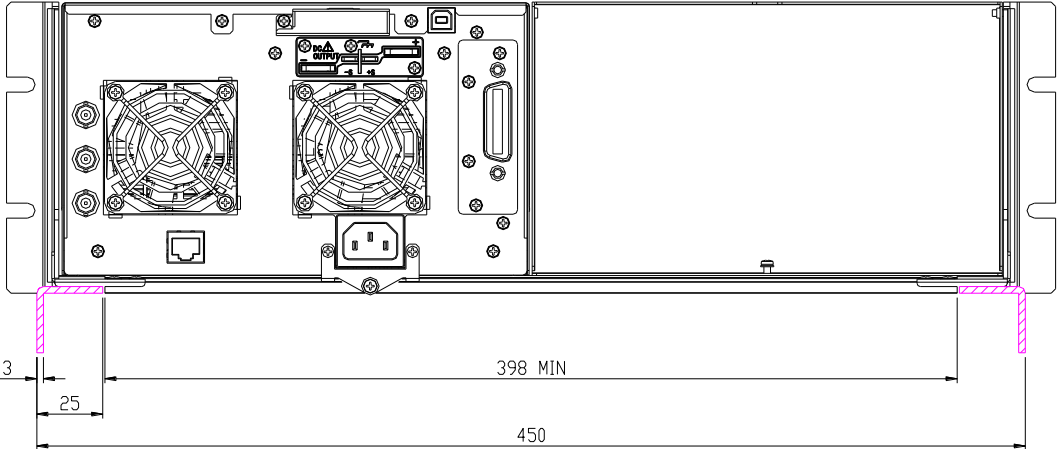
Load Capacity    Max 20kg

---

Rack installation diagram:



The angle brackets are used to support the bottom of the rack.



Note: If using the angle brackets, please pay attention to the size limitations.