

Rack Adapter Panel

GRA-449

GW INSTEK

Assembly Manual

GW INSTEK PART NO. 82RA-44900M01

This assembly manual contains proprietary information, which is protected by copyrights. All rights are reserved. No part of this manual may be photocopied, reproduced or translated to another language without prior written consent of Good Will company.

The information in this manual was correct at the time of printing. However, Good Will continues to improve products and reserves the rights to change specification, equipment, and maintenance procedures at any time without notice.

Good Will Instrument Co., Ltd.
No. 7-1, Jhongsing Rd., Tucheng Dist., New Taipei City 236, Taiwan.



ISO-9001 CERTIFIED MANUFACTURER

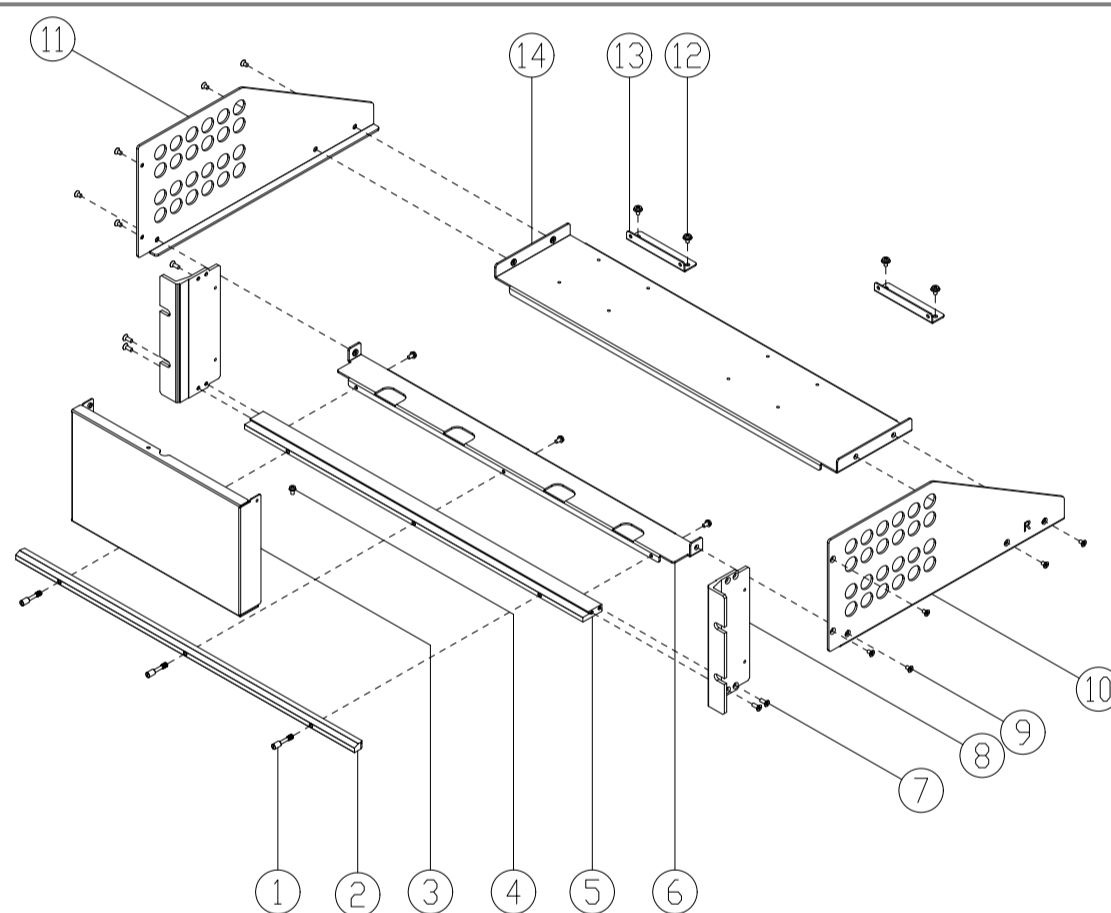
GW INSTEK

GRA-449

The GRA-449 rack mount is suited for the GPP Series Programmable DC Power Supply. The GRA-449 supports both the EIA (GRA-449-E) and JIS (GRA-449-J) standards for use with standard sized rack units. Incorporating a strong frame and robust design, the GRA-449 can fit between 1 ~ 2 GPP units.

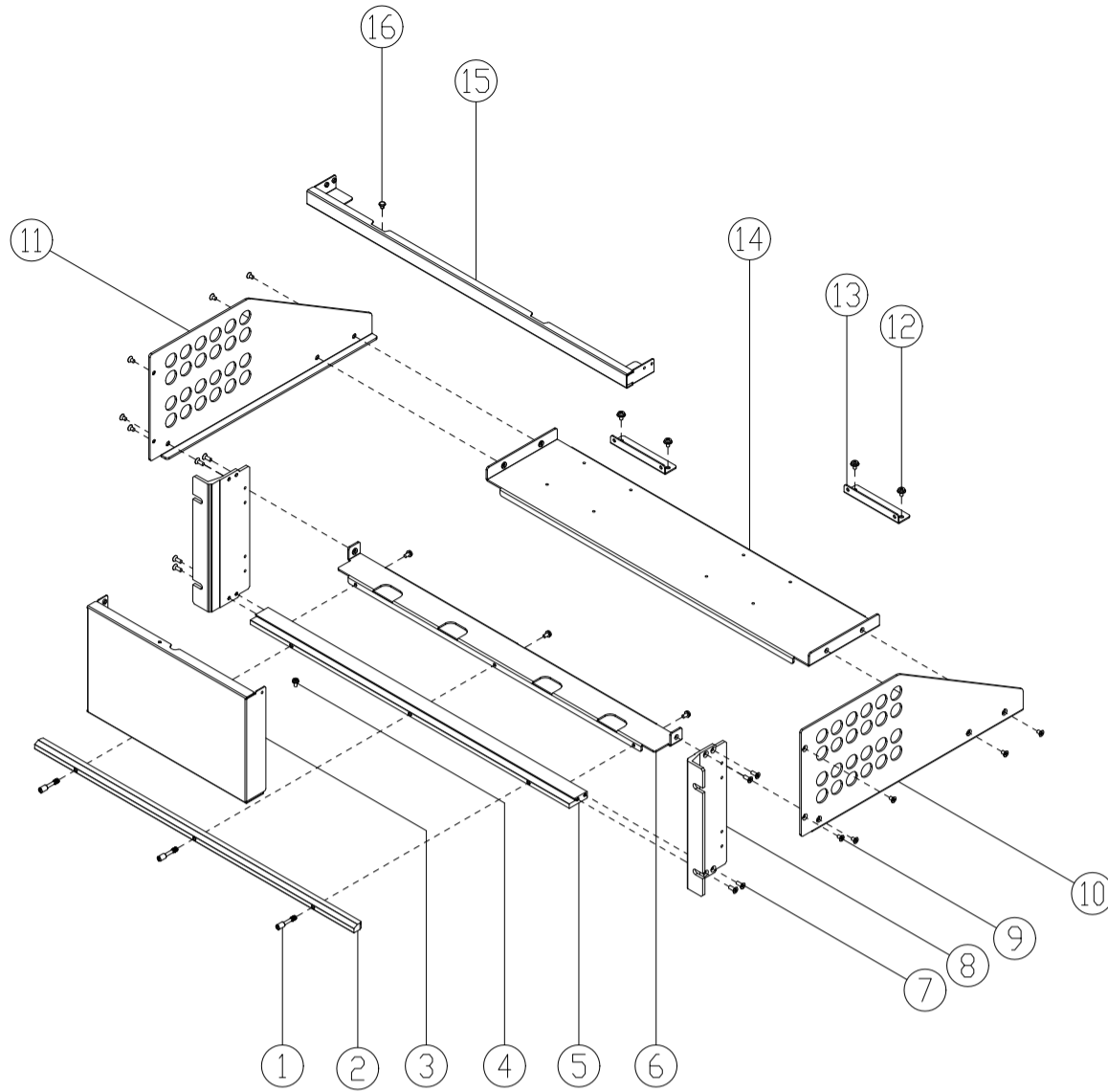
Rack Mount Adapter Component List and Assembly

Description Please check to make sure all the components of the GRA-449 rack mount kit are provided. The JIS and EIA rack mounts have slightly different component sets.



GRA-449-E (EIA)

GRA-449-E Assembly	Item	Part NO.	Description	QTY
	1	59CA-04017NS1	RACK SCREW	3
	2	62RA-410HP2A1	FRONT BRACKET	1
	3	62RA-414HP201	BLANK PANEL	1
	4	592B-W3006NS1	PMS-W-3*6	4
	5	62RA-410HP1B1	MIDDLE BRACKET	1
	6	62RA-449HP301	HOLDER PLATE	1
	7	593B-03008NS1	FMS-3*8	5
	8	62RA-410HPAA1	EIA BRACKET 3U	2
	9	593B-03005NS1	FMS-3*5	10
	10	62RA-449HP201	RIGHT BRACKET	1
	11	62RA-449HP101	LEFT BRACKET	1
	12	592B-W3008NS1	PMS-W-3*8	4
	13	62RA-449HP501	RACK HP	2
	14	62RA-449HP401	REAR BRACKET	1



GRA-449-J (JIA)

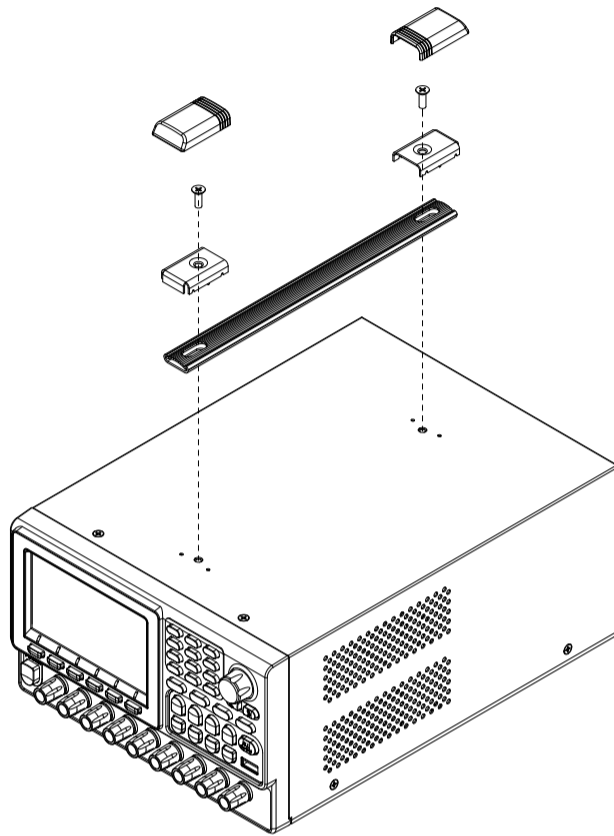
GRA-449-J Assembly	Item	Part NO.	Description	QTY
	1	59CA-04017NS1	RACK SCREW	3
	2	62RA-410HP2A1	FRONT BRACKET	1
	3	62RA-414HP201	BLANK PANEL	1
	4	592B-W3006NS1	PMS-W-3*6	4
	5	62RA-410HP1B1	MIDDLE BRACKET	1
	6	62RA-449HP301	HOLDER PLATE	1
	7	593B-03008NS1	FMS-3*8	8
	8	62RA-410HPBA1	JIS BRACKET 3U	2
	9	593B-03005NS1	FMS-3*5	10
	10	62RA-449HP201	RIGHT BRACKET	1
	11	62RA-449HP101	LEFT BRACKET	1
	12	592B-W3008NS1	PMS-W-3*8	4
	13	62RA-449HP501	RACK HP	2
	14	62RA-449HP401	REAR BRACKET	1
	15	62RA-414HP301	TOP BRACKET	1
	16	5320-00403011	SNAP RIVET	1

Assembly

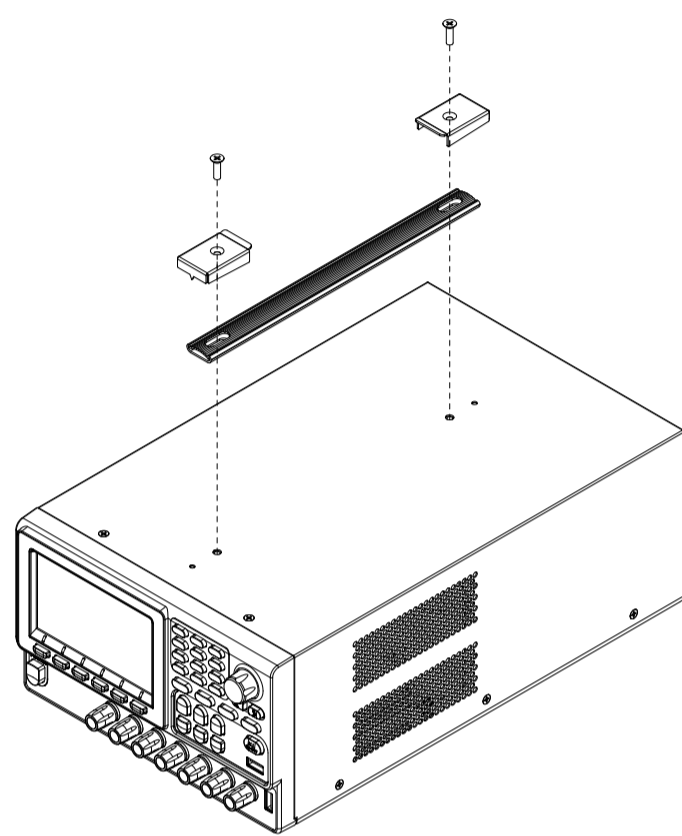
Initial setup

1. Remove the handle (from) the unit.

- Remove the handle cover(GPP Series 200W only).
- Remove the screws securing the handle to the case.
- Remove the handle.

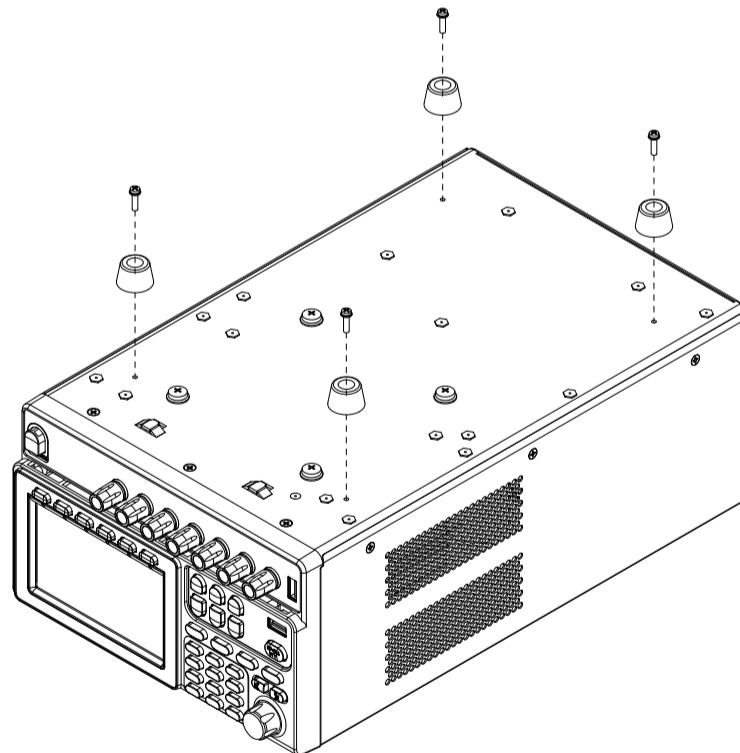


GPP Series (200W)



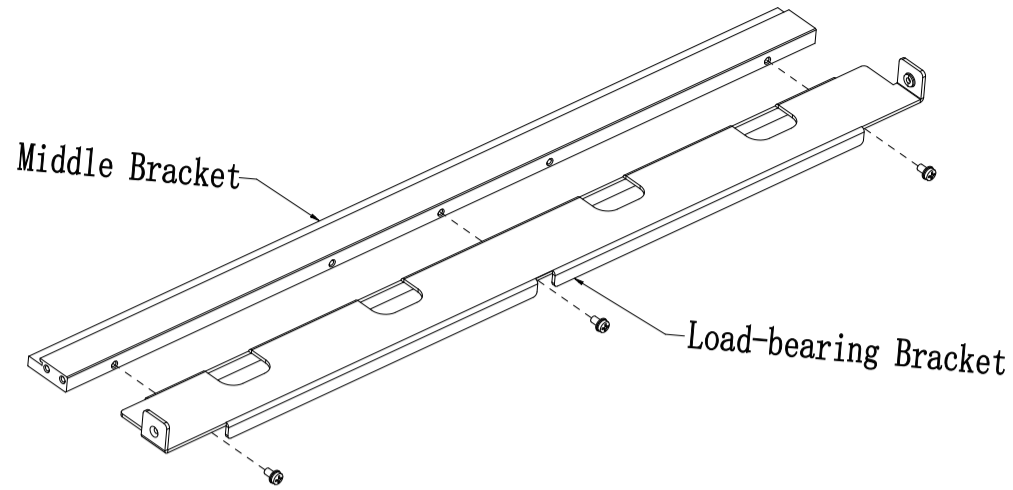
GPP Series (400W)

2. Remove the feet from the underside of the unit.

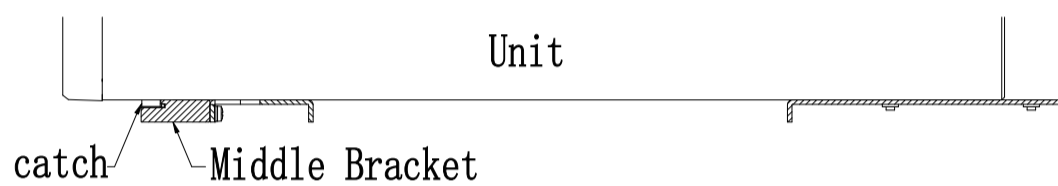


Instrument insertion

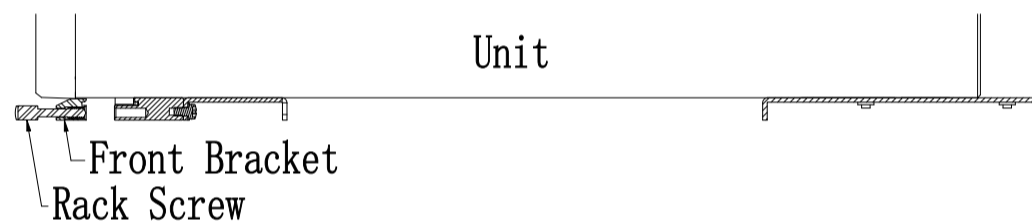
1. Secure the Middle Bracket to the Load-bearing Bracket.



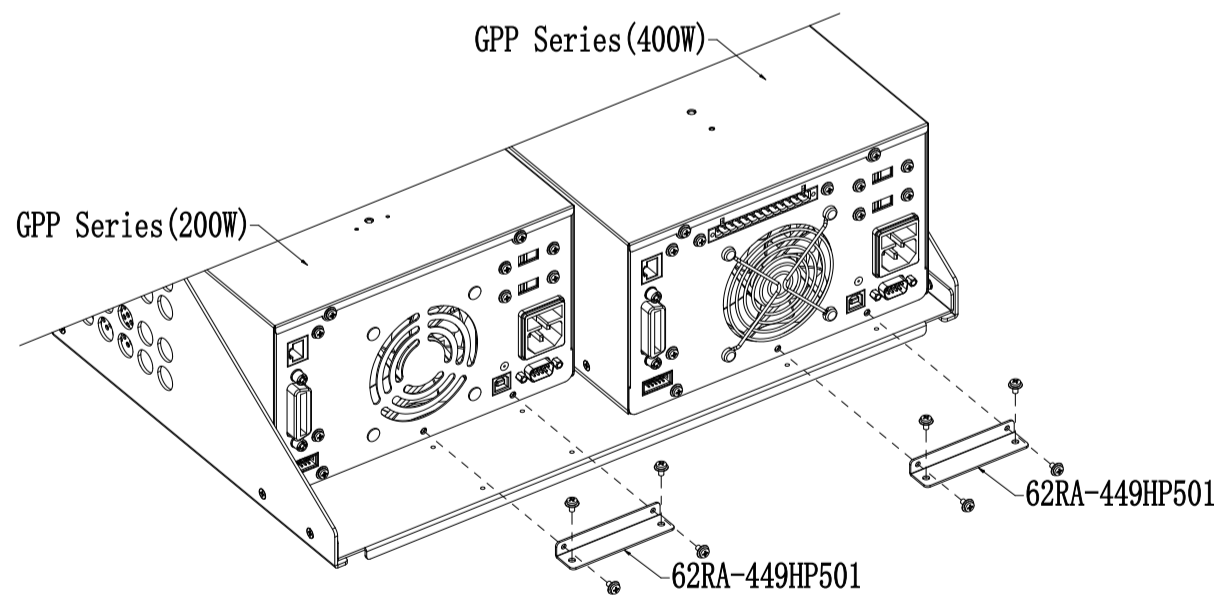
2. Ensure the Middle Bracket is latched onto the catch on the underside of the unit.



3. Attach the Front Bracket to the Middle Bracket with the rack screws.

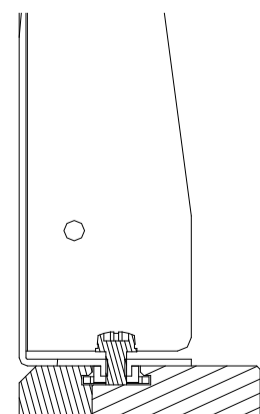


4. Secure the Rack Holding Plates (Rack HP) to the instrument(s) on the Rear Bracket.



Blank panel insertion

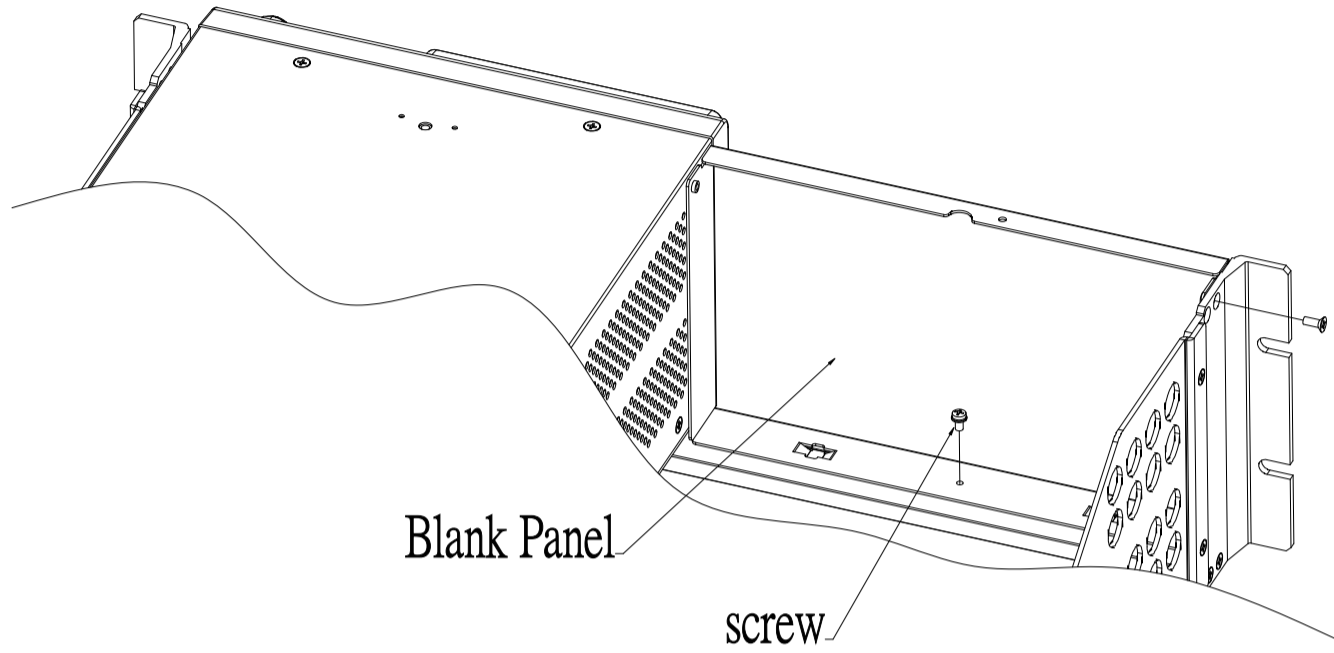
1. If only one unit is going to be used with the rack mount kit, then a blank panel can be inserted into the groove between the Front and Middle Brackets.



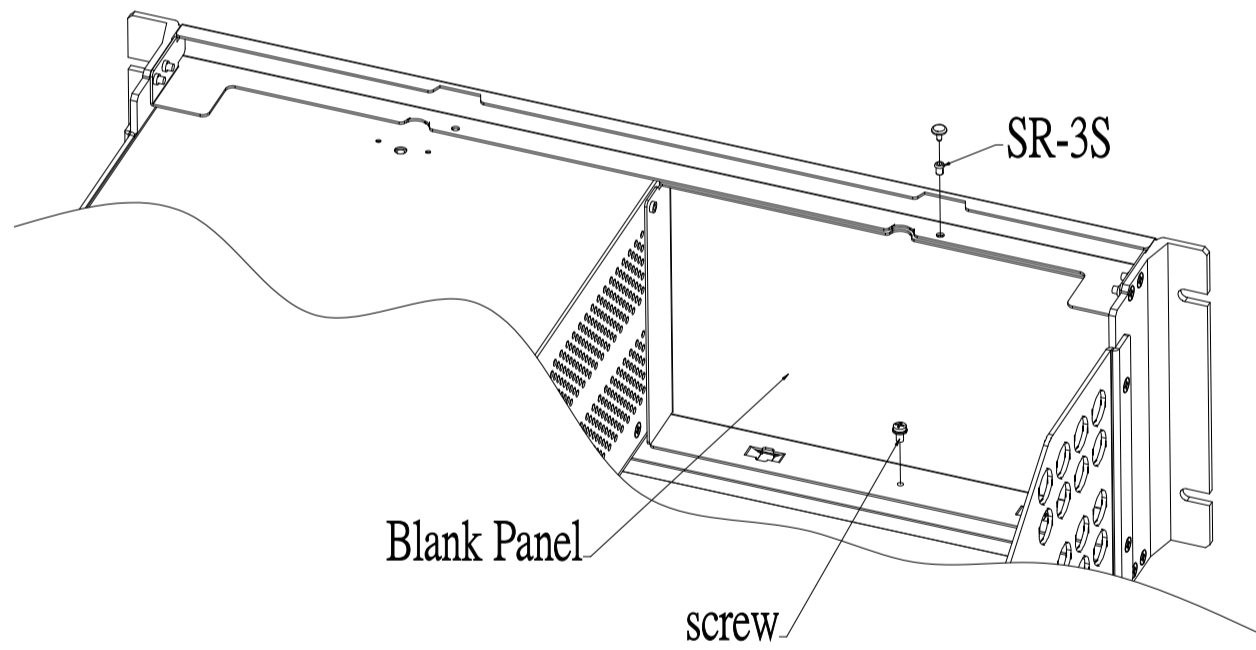
2. Secure the panels with the PMS-W-3*6 screw.

On the JIS model, use the SR-3S pin to hold the plate to the top bracket.

EIA:

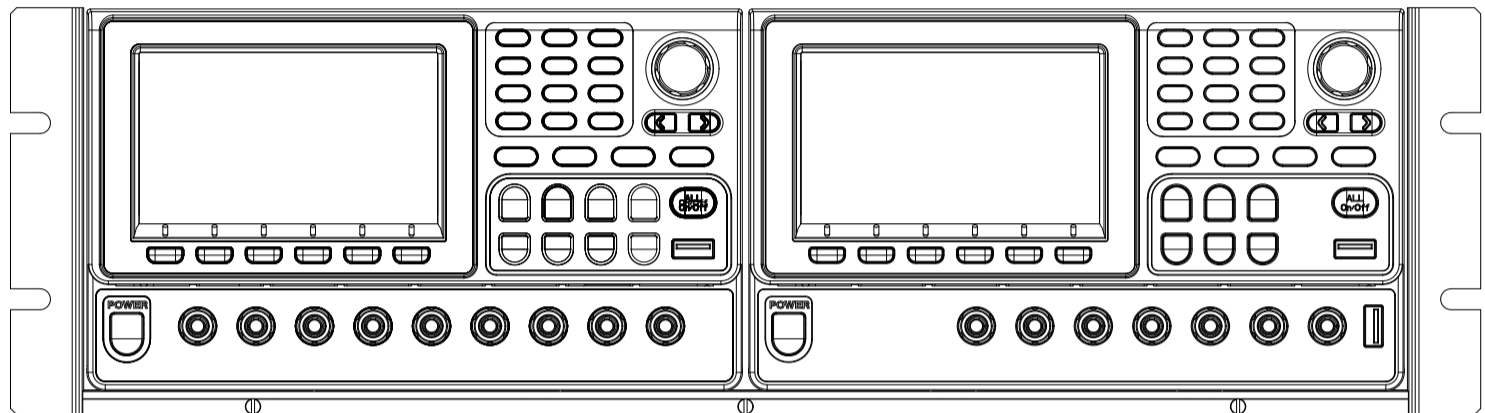
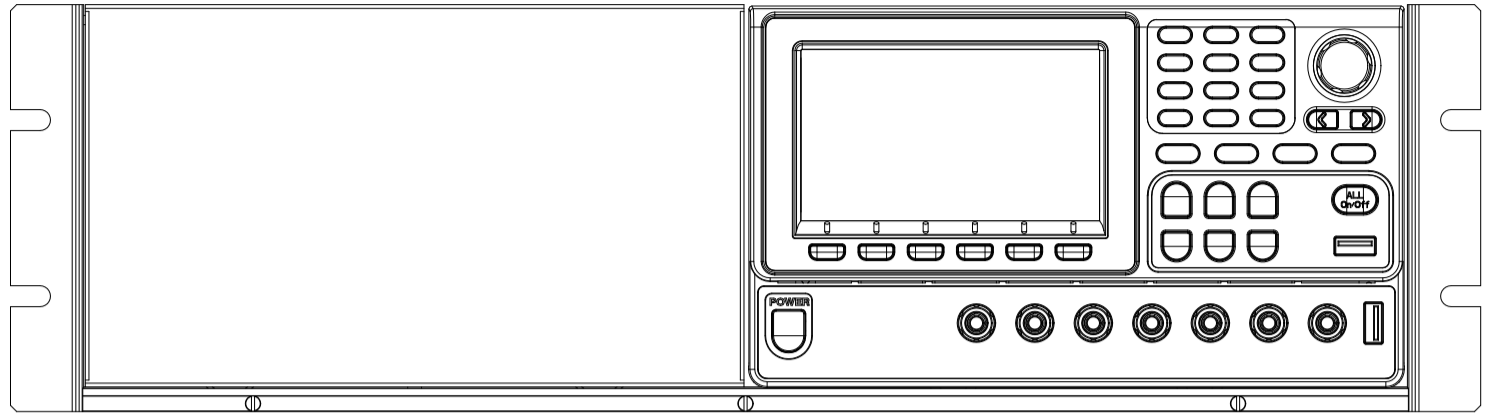


JIS:

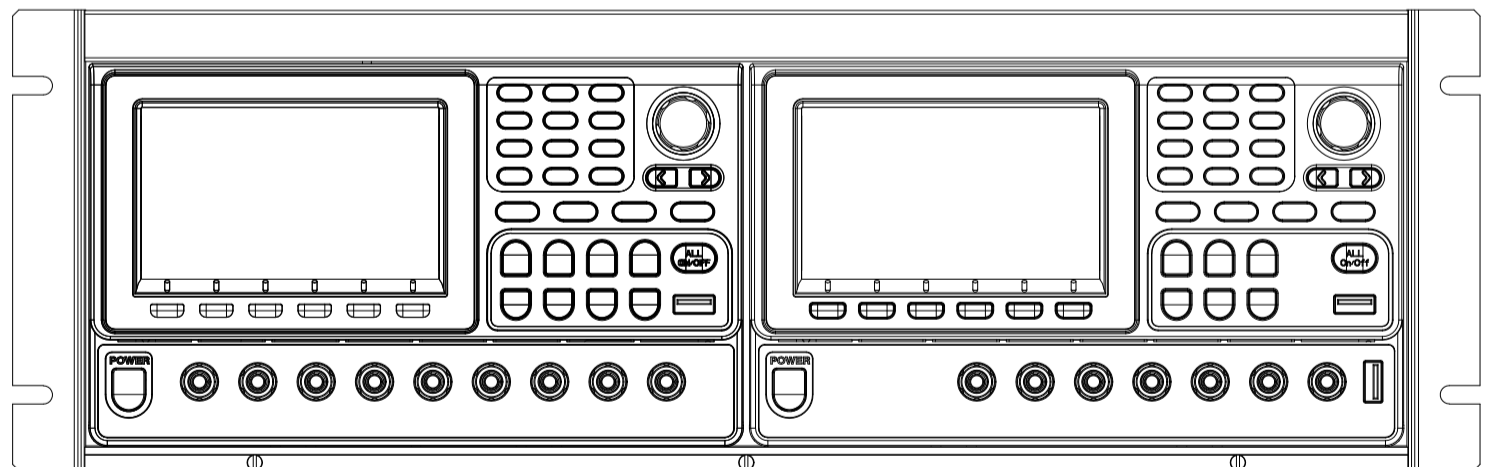
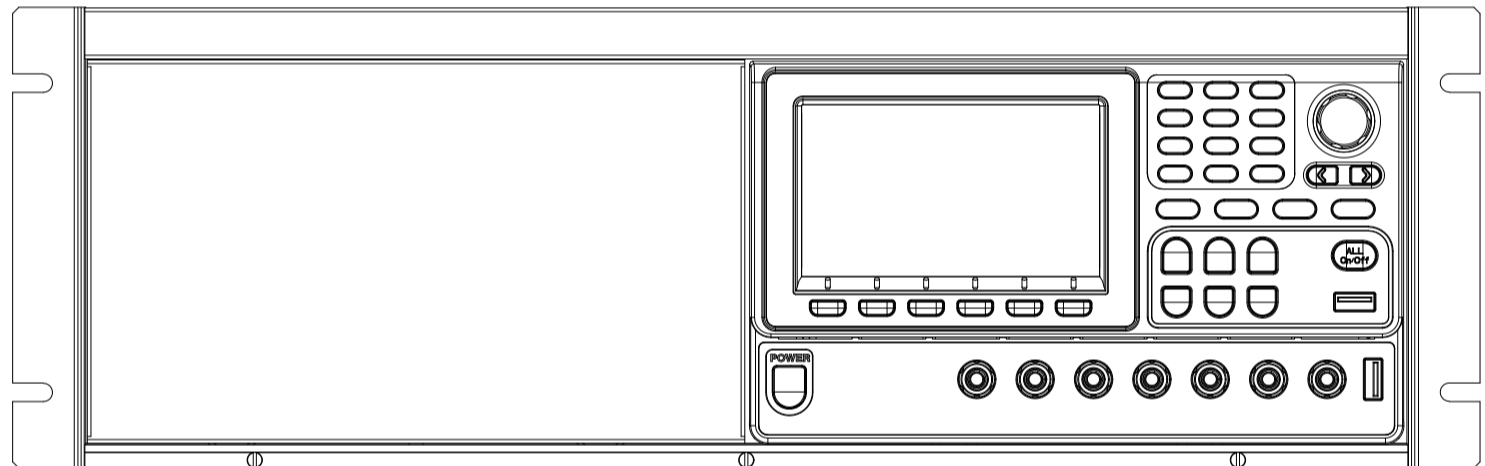


Appearance

GRA-449-E



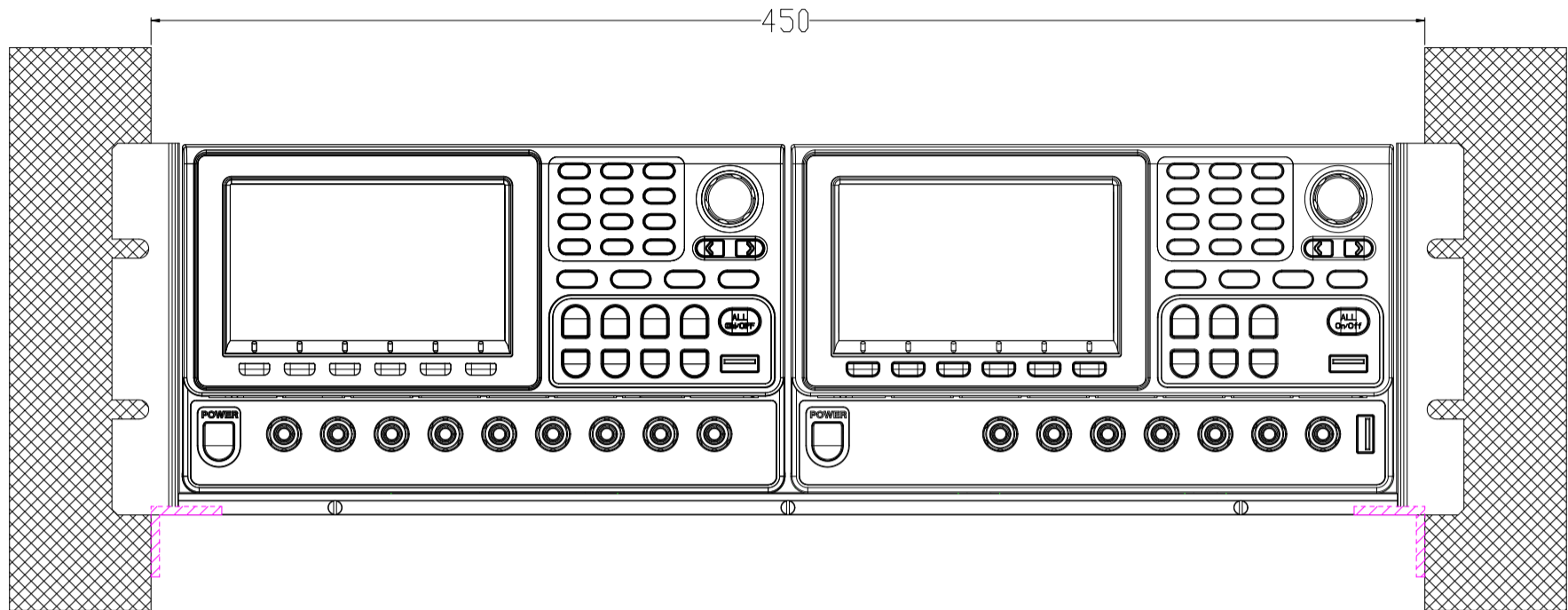
GRA-449-J



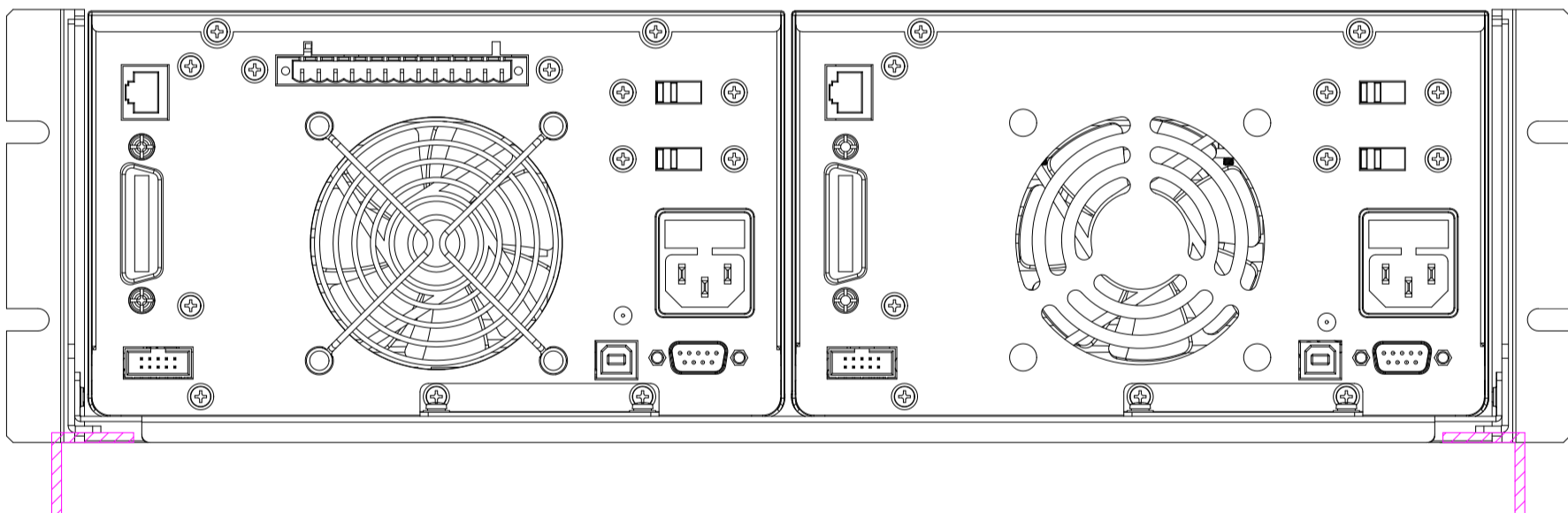
Specification

Load Capacity Max 25kg

Rack installation diagram:



The angle brackets are used to support the bottom of the rack.



Note: If using the angle brackets, please pay attention to the size limitations.